

# REOVIB SMART

Panel mounting feeder control unit



## Important Features

The Smart has the following as standard

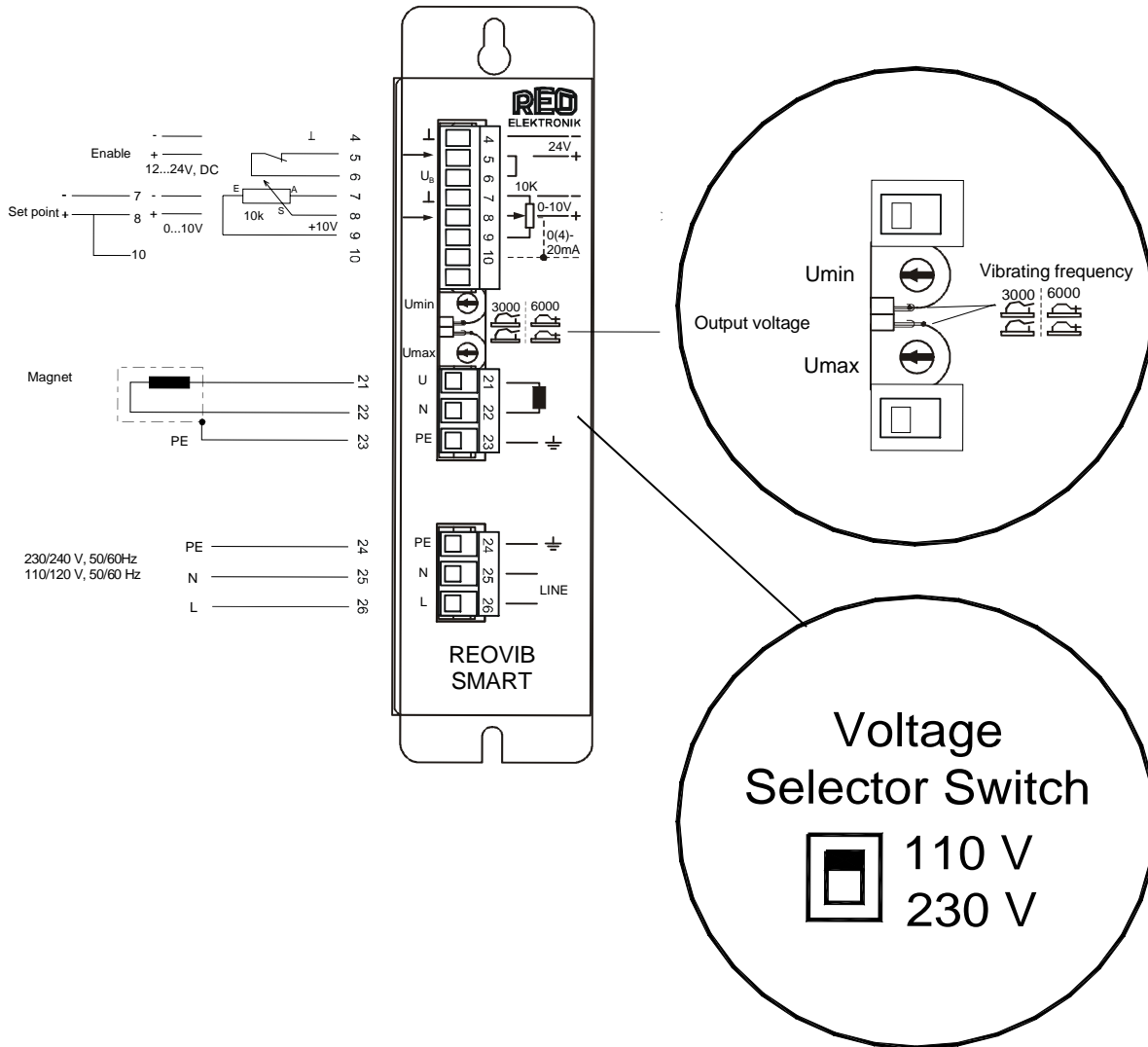
- User Serviceable fuse to protect unit
- Trimmers for Minimum and Maximum vibration
- Full or Half Wave selectable output
- Inputs for Remote ON/OFF switching
- Durable aluminium housing
- Screw fixing
- CE marked
- Choice of setpoint control

### Technical Specification - REOVIB 604301

Supply Voltage	110 V, 50/60 Hz
Output Voltage	20...105 V
Output Current	6 A, max.
Enable:	24 V, DC, 5 mA Contacts
Vibrating Frequency	3600/7200
Set Point Source	Potentiometer 10kR 0...10 V, DC, 22kR 4...20 mA, 250 R
Protection rating	IP20
Ambient temp	0 - 50 degrees C
Dimensions LxWxH	190 x 50 x 86 mm

# Main controls

Panel mounting version



# Dimensions

Dimensions are in mm

