

626823 REOVIB MFS 268

Frequency controllers for vibratory feeders



Operating instructions



IP 54 protected
stand-alone units

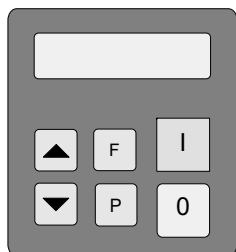
Features

Feeder operating frequency is adjustable and independent of mains frequency.
Constant feed rate ensured by internal compensation, irrespective of mains fluctuations.
Integrated track control via backlog sensor.
24 V DC output for operating an air valve (IP 54 version), and amplitude control (sensor required).
Independent resonant frequency search possible for feeder.
Enable input (start / stop), status relay (output active / inactive).
Stand-alone housings (IP 54) or panel-mounted units (IP 20).

Technical data:

Supply voltage	110 / 240 V, +/- 10%, 50/60 Hz
Output	0...100 / 0... 205 V, 6 A
Output frequency	5...300 Hz, (preset at 35... 140 Hz)
Enable input	Contacts or 24 V, DC
Track sensor	24 V, PNP (100 mA)
Solenoid air valve output	24 V, 150 mA
Status output relay (ON/OFF)	Changeover contact (250 V, 1 A)
Operating temperature	0...+45 °C
Storage temperature	-10...+80 °C
Recommended fuse	10 A, Type 'D' MCB

Display and controls



- Increase value
- Decrease value
- Return
- Programming mode or Enter

Instructions:

Menus are used for changing settings. The different parameters are selected by entering a code.

All adjustments are made by first pressing the P key, followed by selecting the menu code, using the cursor keys.

Settings

Pressing the cursor key for a short time causes one digit increase/decrease, holding down for a longer time gives changes in ten-digit steps.

Changed settings are saved when exiting the menu or automatically if a key is not pressed for 60 seconds.

Operating displays

- Enable OFF
- Track full
- Setpoint in %
- Stop using "0" key

Safety instructions

This description contains the necessary information for the correct application of the product described below. It is intended for use by technically qualified personnel. Qualified personnel are persons who, because of their training, experience and position, as well as their knowledge of appropriate standards, regulations, health and safety requirements and working conditions, are authorised to be responsible for the safety of the equipment, at all times, whilst carrying out their normal duties and are therefore aware of, and can report possible hazards (definition of qualified employees according to IEC 364).



WARNING!
Hazardous voltage!

Failure to observe can kill, cause serious injury or damage.
Isolate from mains before installation or dismantling work, as well as for fuse changes or post installation modifications.
Observe the prescribed accident prevention and safety rules for the specific application.
Before putting into operation, check if the rated voltage for the unit conforms with the local supply voltage.
Emergency stop devices must be provided for all applications. Operation of the emergency stop must inhibit any further uncontrolled operation.
Electrical connections must be covered.
Earth connections must be checked for correct function, after installation.



Declaration of conformity



We declare that these products conform with the following standards and directives:
EN 61000-6-4 and EN 61000-6-2 in accordance with directive 89/336/EEC.

REO ELEKTRONIK AG, D-42657 Solingen

Specified use

The units described herein are electrical controllers for installation in industrial plants. They are designed for power adjustment on vibratory feed equipment.

Installation

!	Check!	Do supply voltage, operating voltage of the conveyor and controller input voltage match ? Is the controller adequately rated for the rated power of the feeder ? What is the vibrating frequency of the feeder ?
!	Fuses	During switch-on, internal capacitors cause a high inrush current. Especially if several controllers are switched on simultaneously, the external fuse can blow or the circuit breaker can trip. Therefore, we recommend fitting slow-acting fuses or circuit breakers, e.g. with type 'D' characteristic.
Connect the unit in accordance with the wiring instructions and ensure that earthing is correct !		
	Attention!	New units are factory set (see table with settings). For units with unknown settings, first recall the factory settings using Menu C 210 'FAC'.
	External setpoint	If an external setpoint source is used, select "E.S.P." = I in Menu C003. If a potentiometer is used, select also 'Pot.' = I. To set the minimum vibration level, select E.S.P. = 0, adjust the vibration level with the cursor keys and then set E.S.P. = I.
!	Settings	The specific settings for a system can be saved by selecting 'US.PA.' in Menu C143 (recall settings via Menu C 210 'US.PA'). Menu access can be hidden by selecting 'Hd.C.' = I in Menu C117.

Settings	Range	Code settings	Factory code	Menu code	Error messages
Amplitude (feed rate)	0... 100 %	A.	0 %	000, 002	
Maximum output voltage	5...100 %	P	90 %.	096, 008	Overload (output current too high). Possible cause: Feeder too large, frequency too low for installed coils, air gap too large.
Vibrating frequency	35...140 Hz	F.	100 Hz	096, 008	
Soft start ramp up	0... 60 sec.	/.	0.1 sec.	096	
Soft stop ramp down	0... 60 sec.	\.	0.1 sec.	096	
External setpoint	0 / 1	E.S.P.	0	003	Short-circuited output Possible cause: Incorrect wiring, possibly a defective coil.
Potentiometer setpoint	0 / 1	POT.	0	003	
Setpoint 0(4)... 20 mA	0 / 1		4.20	003	
Coarse / Fine control	0 / 1	2.SP.	0	003	
Invert enable	0 / 1	-En.	0	003	Input voltage too high Cause: Mains voltage too high or induced voltage from coil
Switch on time delay	0... 60 sec.	l.	1.0 sec.	007, 167	
Switch off time delay	0... 60 sec.	0.	1.0 sec.	007, 167	
Invert sensor	PNP/PLN invers	-SE.	PNP	007, 167	
Activate sensor timeout	0 / 1	E.En.	0	015	Sensor timeout has elapsed (material sensor)
Sensor timeout delay	1... 240 sec.	E.	180 sec.	015	
Switch off time air valve	0...60 sec.	Ai.	4 sec.	015	
Activate control mode	0 / 1	ACC.	0	008	Sensor fault (only in regulation mode) Accelerometer missing or faulty
P characteristic	0...100	P.A.	40	008	
I characteristic	0...100	I.A.	100	008	
Automatic frequency control ON	0 / 1	A.F.C.	0	008	
Automatic frequency search ON		A.F.S.		008	
Display output current		i.		040	Current spike limit Frequency set too low for installed coil or frequency altered too rapidly during setting up
Display output frequency		F.		040	
Pulse feed	0 / 1	HOP.	0	064	
On time delay (only if HOP = 1)	0..60 sec.	H.	1.0 sec.	064	
Off time delay (only if HOP = 1)	0..60 sec.	h.	1.0 sec.	064	
Invert Hopper sensor (not active)	0 / 1	-Ho.	0	064	
Save user settings		PUSH.		143	
Restore factory settings		FAC.		210	
Restore user settings		US.PA.		210	
Hide programming menus	0 / 1	Hd.C.	0	117	
Hide setpoint adjustment	0 / 1	di.S.	0	137	
Display software version				001	

Error messages must be cleared in Menu no. C 009 by means of 'Cl.err.'

Timeout can be cleared with the 'I' key or by means of enable

Frequently appearing Errors, which are not described in this chapter, should be reported to the manufacturer.



No code number is required to change the feed rate: pressing the P key twice will call the setpoint display.

Code 000 Feed rate set point

Feed rate 0...100 %

Operating mode

Feed rate setting

<h3>Code 003 Function settings</h3>	<p>Display: </p> <p>0...+10 V: </p> <p>0(4)...20mA: </p> <p>Potentiometer: </p>	<p>Internal using keys in touch panel External setpoint 0...+10 V, 0(4)...20 mA Potentiometer 10 KΩ</p>	<p>Set point input</p>
<p>0 = Setpoint using display I = external setpoint 0...+10 V ON</p> <p>0 = external setpoint 0...+10 V I = external setpoint 4...20 mA</p> <p>0 = 0...10 V/ 0(4)...20 mA I = Potentiometer</p>		<p>Track control or Coarse / fine control with two feed rates</p>	<p>Sensor input</p>
<p>0 = Track control via backlog sensor I = Coarse/fine control with second setpoint</p> <p>0 = Enable I = Invert enable</p>		<p>+24 V signal or closed contact will enable the output. +24 V signal or closed contact will inhibit the output.</p>	<p>Enable input</p>
<p>Operating mode</p>			
<h3>Code 096 / 020 Feeder</h3>		<p>Limiting the maximum feed rate</p> <p>The set point will still display 0... 100 %, even though it is limited internally.</p>	<p>Maximum feed rate</p>
<p>Feed rate 0...100 %</p> <p>Maximum limit 100...5 %</p>		<p>The frequency setting depends on the feeder type. Important! The wrong frequency setting can damage the coil.</p>	<p>Vibrating frequency</p>
<p>Vibrating frequency [Hz]</p> <p>Soft start time 0...5 sec.</p> <p>Soft stop time 0...5 sec.</p>		<p>Time ramp for starting and stopping the feeder.</p>	<p>Soft start / soft stop</p>
<p>Operating mode</p>			

Code C 007 / C 167 Track control / Backlog sensor

P C.000 C.167 P

P 1.00 1.50 P

Switch on time delay
0...60 sec.

P 0.00 0.50 P

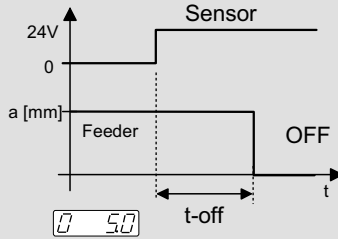
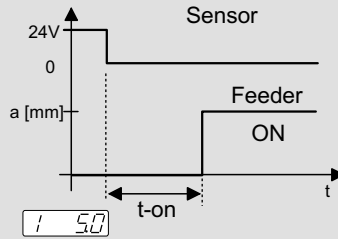
Switch off time delay
0...60 sec.

P -SE.0 -SE.1 P

Invert sensor function
I = inverted

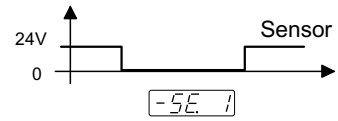
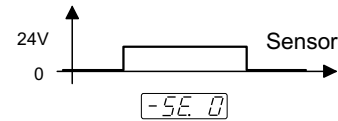
P 1000 P

Operating mode



Adjustment of the ON and OFF delays

Time delays



Invert sensor input

Sensor

Code 015 Special functions

P C.000 C.015 P

P EE.n.0 EE.n.1 P

0 = Feeder doesn't switch off during timeout
1 = Feeder switches off during timeout

EE.n.0 inactive
EE.n.1 active

P E.40 E.1800 P

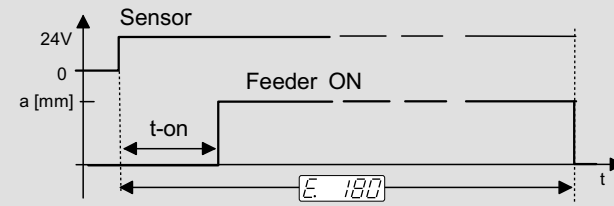
E. = Sensor timeout [sec]

P Rl.0 Rl.10 P

Run-on-time for air valve output

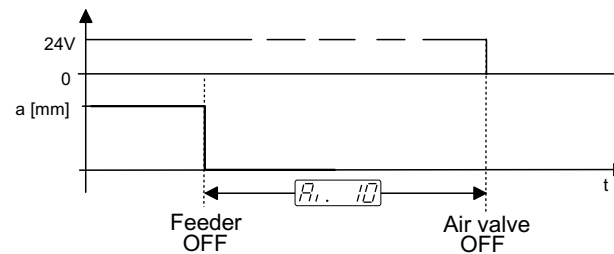
P 1000 P

Operating mode



Sensor control active.
If no components are detected during the timeout period, the feeder switches off.

Sensor control



Setting the run-on-time for the air valve output.

Air valve output

Code 064 Pulse feed

P C.000 C.064 P

P HOP.0 HOP.1 P

0 = Pulse feed Off
1 = Pulse feed On

P H.10 H.500 P

Feeder on time

P h.10 h.315 P

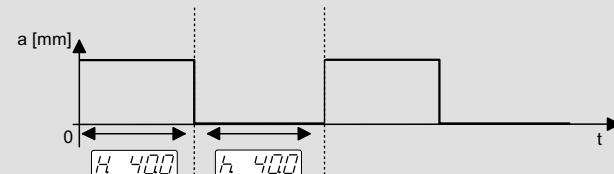
Feeder off time

P -HQ.0 -HQ.1 P

Sensor invert (not active)

P 1000 P

Operating mode



On and Off time for Hopper pulse feed

Pulse feed

Code 117 Inhibit access

P C.000 [▲] [▼] C.117 P

P HdC.0 [▲] [▼] HdC.1 P

I = Hidden menus

HdC.1

Parameter menus cannot be accessed, except for the feed rate setpoint

HdC.0

Parameter menus can be accessed

Hide programming menus.

P 1000

Operating mode

Code 137 Inhibit setpoint access

P C.000 [▲] [▼] C.137 P

P d1.5.0 [▲] [▼] d1.5.1 P

0 = Setpoint access ON
1 = Setpoint access OFF

d1.5.0

Setpoint can be adjusted

d1.5.1

Setpoint cannot be adjusted

Setpoint access

P 1000

Operating mode

Code 143 Save parameter settings

P C.000 [▲] [▼] C.143 P

US1.0 [▲] [▼] US1.3 P

Select parameters 0 to 3

Saves up to 4 different parameters (no. 0 - 3).

Save parameter settings

P PUSH [▲] [▼] SAFE P

Save parameter settings

▲ All previously set parameters are saved.

P 1000

Operating mode

Code 210 Restore parameters

P C.000 [▲] [▼] C.210 P

P FdC [▲] [▼] SAFE P

Restore factory settings

▲ Restore factory settings.

Restore factory settings

US1.0 [▲] [▼] US1.3 P

Select parameters 0 to 3

Saves up to 4 different parameters (no. 0 - 3).

Restore parameter settings previously stored under C143

P USPR [▲] [▼] SAFE P

Restore user settings

▲ Restore settings saved under C143.

P 1000

Operating mode

Service

Electrical connections
Stand-alone housing version

REOVIB MFS 268 IP 54

Depending on version, various different electrical connections are used.

Standard version

Mains cable entry, and power output socket

4-pin M12 socket for track control sensor (backlog)

4-pin M12 socket for amplitude sensor (accelerometer)

An additional cable entry gland can be fitted for connecting the 'Enable' and/or 'Status' signal.

'Plug and vib' version

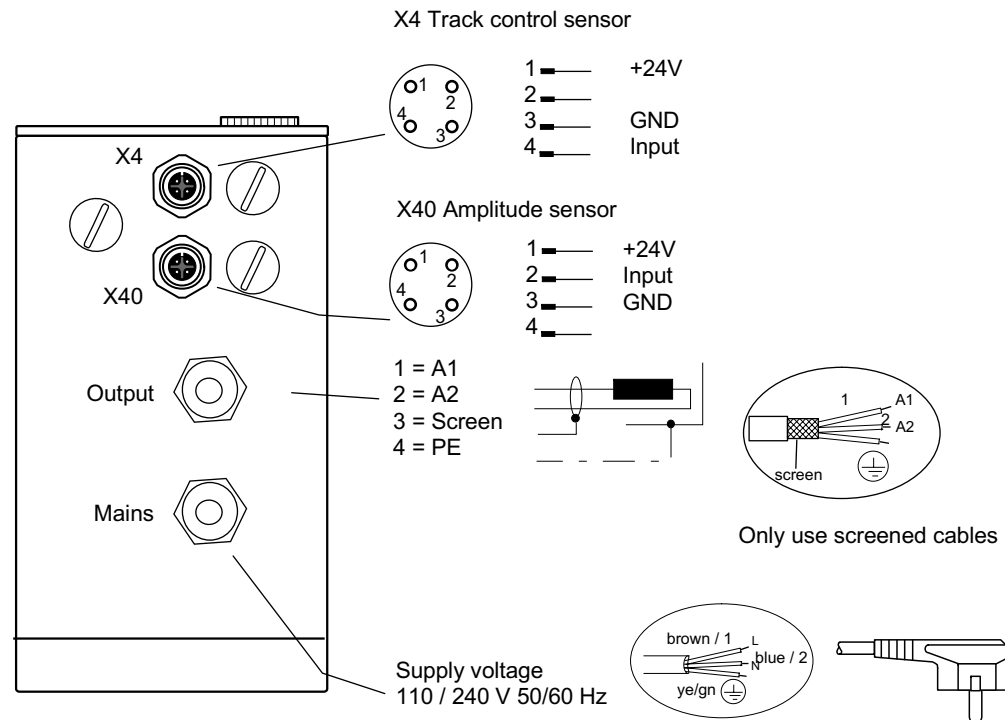
Sockets for mains supply and power output

4-pin M12 socket for track control sensor (backlog)

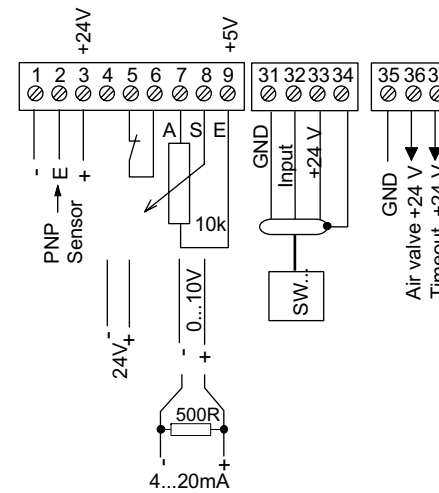
4-pin DIN socket for amplitude sensor (accelerometer)

4-pin M12 socket for 'Status' signal (make contact)

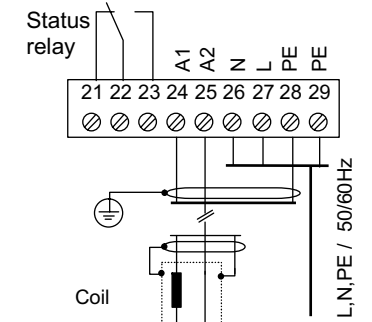
4-pin M12 socket for 'Enable' signal (24 V DC or contact)



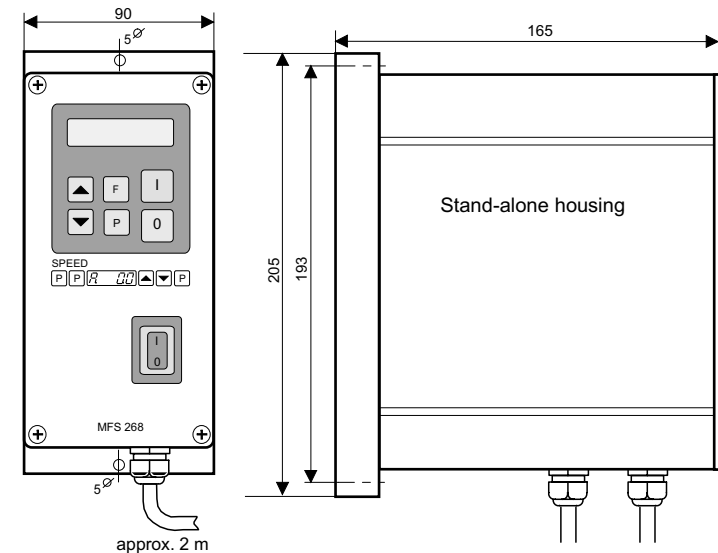
Internal connections Control terminals



Power output connections



Dimensions



Ordering codes for plugs:

Output plug: Power output socket 3+PE HA-4-M / 090212
 Track sensor: 4-pin M12 plug RSV-M12-4 / 090131
 Amplitude sensor: 4-pin M12 plug (screened)

Ordering codes for plugs:

Supply voltage: Power output socket 3+PE HA-4-M-F / 090218
 Output: Power output plug 3+PE HA-4-M / 090212
 Track control, Enable, status relay sensors: 4-pin M12 plug RSV-M12-4 / 090131
 Air valve control sensor: 4-pin M12 plug RSV-4 / 090104