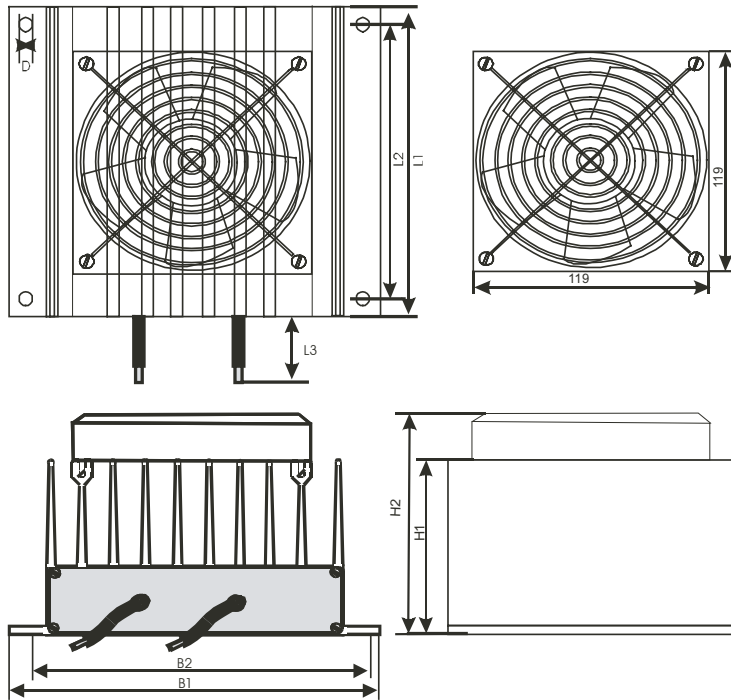
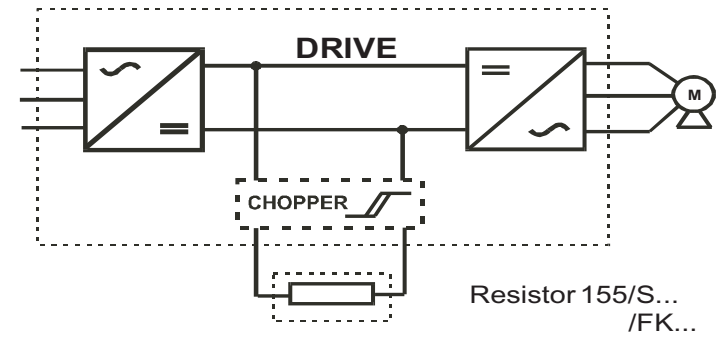


BW 150 BW 155/S BW 155/FK

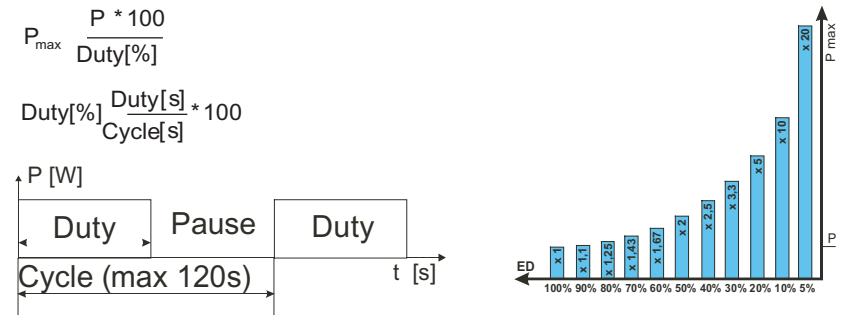
Dimensional Information



Circuit Diagram



Load Diagram



Standard Cooling		Forced Cooling			Dimensions									
Type	Continuous Power (W)	Type	Continuous Power (W)	Resistance Values (Ω)	Max. Operating Voltage (V)	B1 (mm)	B2 (mm)	H1 S (mm)	H2 FK (mm)	L1 (mm)	L2 (mm)	L3 (mm)	D (mm)	Connection Cable
BW155/1000/S	1000	BW155/1000/FK	2000	20-350	900	175	165	75	119	170	120	250	6.5	2xAWG 14 UL 1659
BW155/1200/S	1200	BW155/1200/FK	2400	15-300						230	180			
BW155/1500/S	1500	BW155/1500/FK	3000	12-250						330	280			
BW155/2000/S	2000	BW155/2000/FK	4000	8-200						530	500			

Protection IP20, IP65	Test Voltage 2.5kV AC
max. Temp >300°C	Ambient Temperature -10...+40°C

Designed by T Newcombe	Approved by M Gillam	Approved Date 15.02.2008	File Name BW155/S/FK	Issue Date 31.08.2005	Scale 1:1
REO REO UK LTD Units 2-4, Callow Hill Road Craven Arms, Shropshire SY7 8NT Tel: 01588 673411 Fax: 01588 672718 email: main@reo.co.uk www.reo.co.uk			Title BRAKING RESISTOR TECHNICAL INFORMATION		Sheet 1 of 1
			Drawing Number BW155/S/FK/XX		