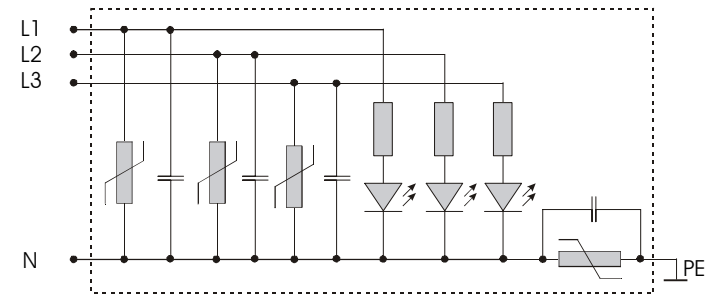
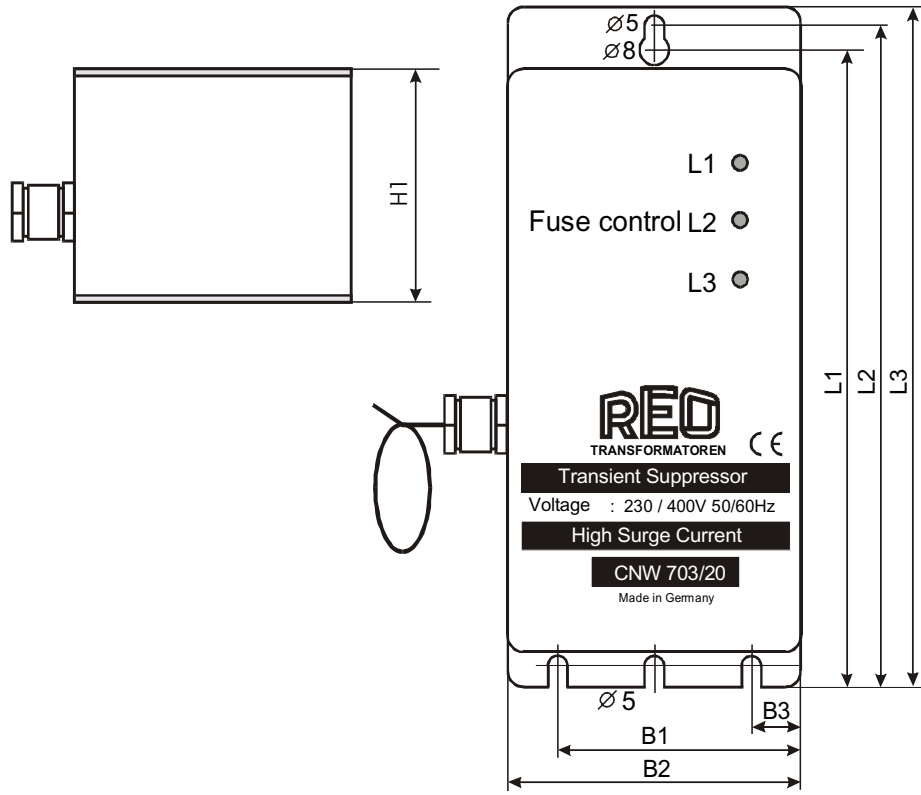
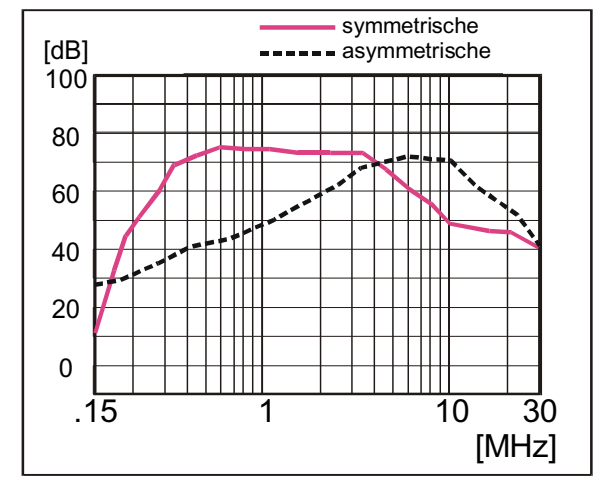


### Circuit Diagram



### Technical Data

#### Typical attenuation



| Type       | B1 [mm] | B2 [mm] | B3 [mm] | H1 [mm] | L1 [mm] | L2 [mm] | L3 [mm] | Connection  | Rated Voltage [V]  | Surge Current [kA] | Leakage Current [mA] | Surge Current [kA] | Rated Voltage [V]  | ΣCx [μF] | ΣCx [μF] | R [kΩ] |
|------------|---------|---------|---------|---------|---------|---------|---------|-------------|--------------------|--------------------|----------------------|--------------------|--------------------|----------|----------|--------|
| CNW 703/20 | 75      | 90      | 15      | 15      | 192     | 199,5   | 205     | 0.6m/5x6mm2 | 3 x 400<br>50/60Hz | 3 x 20             | <30                  | 3 x 20             | 3 x 400<br>50/60Hz | 2,2      | 2,2      | 680    |

|   |   |
|---|---|
| conforming to<br>VDE 0565-3/ IEC 950/ UL 1283 | Test voltage<br>L-N 2100 V,DC 1 s    L/N-PE 2700 V,DC 1 s |
| Overload<br>1,5 x I <sub>Nenn</sub> 1 min / h | Climatic category<br>DIN IEC 60068-1                      |

|   |                         |                           |                               |                        |                 |
|---|-------------------------|---------------------------|-------------------------------|------------------------|-----------------|
| Designed by<br>M Gillam   | Approved by<br>S Hughes | Approved Date<br>14.03.08 | File Name<br>CNW703           | Issue Date<br>02.04.08 | Scale<br>1:1    |
| <b>REO</b><br>REOUK LTD<br>Units 2-4, Callow Hill Road<br>Craven Arms, Shropshire SY7 8NT<br>Tel: 01588 673411 Fax: 01588 672718<br>email: main@reo.co.uk www.reo.co.uk |                         |                           | Title<br>Transient Suppressor |                        | Sheet<br>1 of 1 |
|   |                         |                           | Drawing Number<br>CNW703/XX   |                        |                 |