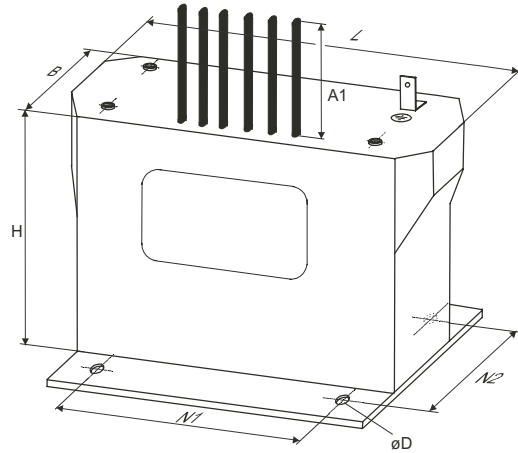
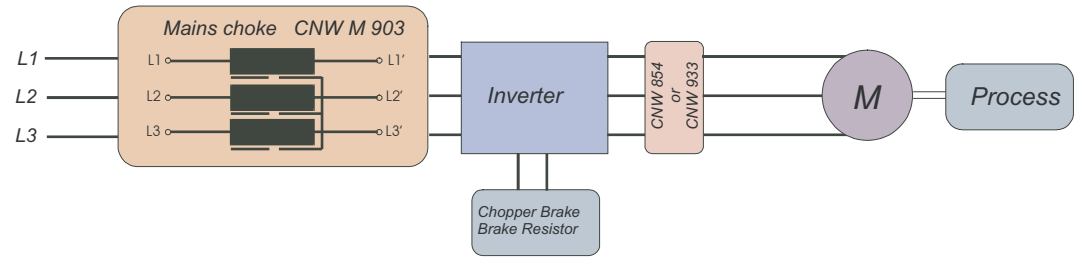


Dimensional Information

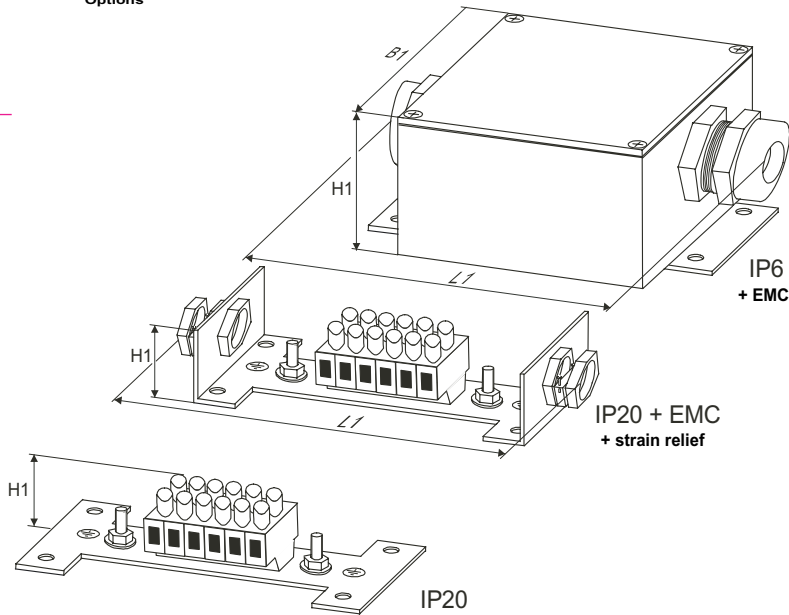
Basic version



Technical Data



Options



Type	Rated Voltage [V]	Rated current [A]	Inductance [mH]	Copper Weight [kg]	Weight [kg]	Basic Version											Options								
						Cable [mm ²]	L [mm]	B [mm]	H [mm]	N1 [mm]	N2 [mm]	øD1 [mm]	A1 [mm]	Cable [mm ²] up to	Terminals IP20		Terminals IP20+EMC screen			Terminal box IP64 with EMC-screw connection					
															Cross Section	H1 [mm]	H1 [mm]	L1 [mm]	Screw connection	Enclosure Type	L1 [mm]	B1 [mm]	H1 [mm]		
CNW M 903/3	3 X 500	3	9,8	0,5	1,2	2,5	115	65	88	80	51	5,5x7,0	200	2,5	2,5	20	32	130	20	RPG7	151	85	60		
CNW M 903/6		6	4,8	0,7	1,6	1,5	115	74	88	80	60	5,5x7,0	200	2,5	2,5	20	32	130	20	RPG7	151	85	60		
CNW M 903/8		8	3,6	1,0	2,4	1,5	140	77	109	100	60	5,5x7,0	200	2,5	2,5	20	32	158	20	RPG7	151	85	60		
														4	6	23		160	25	RPG7	155				
														6				32	RPG4	210	120			80	
CNW M 903/10		10	2,9	1,1	3,2	1,5	140	87	109	100	70	5,5x7,0	200	2,5	2,5	20	32	158	20	RPG7	151	85	60		
														4	6,0	23		160	25	RPG7	155				
														6				32	RPG4	210	120			80	
CNW M 903/12		12	2,4	1,1	3,2	1,5	140	87	109	100	70	5,5x7,0	200	2,5	2,5	20	32	158	20	RPG7	151	85	60		
														4	6	23		160	25	RPG7	155				
														6				32	RPG4	210	120			80	
CNW M 903/16		16	1,8	1,6	4,6	2,5	175	99	137	130	79	5,5x12,0	300	2,5	2,5	20	35	170	20	RPG7	151	85	60		
	4													6	23	172		25	RPG7	155					
	6															32		RPG4	210	120	80				
CNW M 903/25	25	1,2	2,2	6,6	4,0	175	114	137	130	94	5,5x12,0	300	2,5	2,5	20	35	170	20	RPG7	151	85	60			
													4	6	23		172	25	RPG7	155					
													6				32	RPG4	210	120			80		
CNW M 903/36	36	0,81	2,5	6,6	6,0	175	114	137	130	94	5,5x12,0	300	2,5	2,5	20	35	170	20	RPG7	151	85	60			
													4	6	23		172	25	RPG7	155					
													6				32	RPG4	210	120			80		

Protection IP 00 up to IP 64 Overload 1,5 x I _{rated} 1 min / h	Test voltage L-L 2100 V, DC 1 s L-PE 2700 V, DC 1s Climatic category DIN IEC 60068-1
---	---

Designed by M Gillam	Approved by S Hughes	Approved Date 02.05.08	File Name CNWM903	Issue Date 02.05.08	Scale 1:1
REO REO UK LTD Units 2-4, Callow Hill Road Craven Arms, Shropshire SY7 8NT Tel: 01588 673411 Fax: 01588 672718 email: main@reo.co.uk www.reo.co.uk			Title CNWM903 Line Choke		Drawing Number CNWM903/XXXX