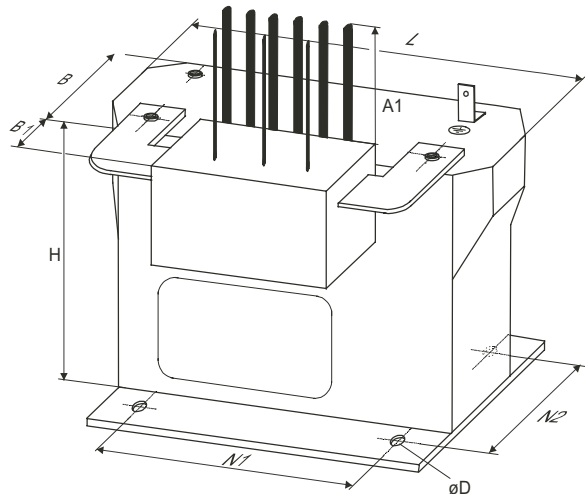
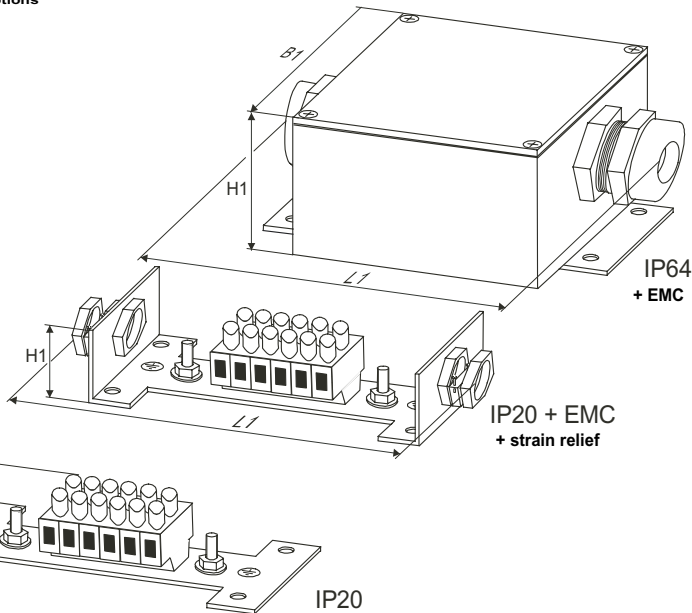


Dimensional Information

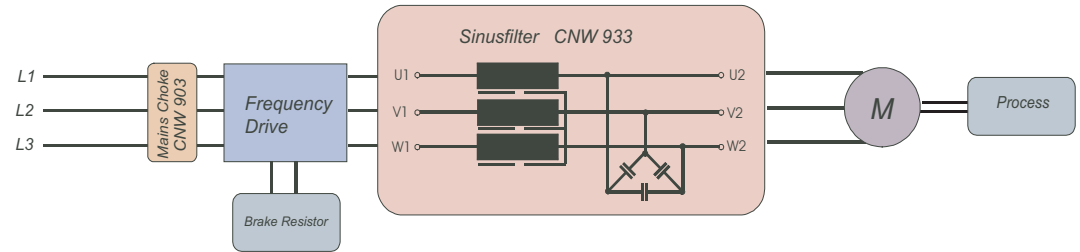
Basic version



Options



Technical Data



Type	Rated Voltage [V]	Rated current [A]	Inductance [mH]	Capacity [μ F]	Copper Weight [kg]	Weight [kg]	Cable [mm^2]	Basic Version										Options							
								L [mm]	B [mm]	B1 [mm]	H [mm]	N1 [mm]	N2 [mm]	\varnothing D1 [mm]	A1 [mm]	Cable [mm ²] up to	Terminals IP20		Terminals IP20+EMC screen		Terminal box IP64 with EMC-screw connection				
								Cross Section	H1 [mm]	H1 [mm]	L1 [mm]	Screw connection	Enclosure Type	L1 [mm]	B1 [mm]	H1 [mm]									
CNW M 933/2	Up to 3 x 400 V	2	29,3	0,22	0,9	2,5	1,5	140	51	40	110	100	60	5,5x7,0	200	1,5	2,5	20	32	160	20	RPG7	151	85	80
CNW M 933/4		4	14,6	0,33	0,9	2,5	1,5	140	51	40	110	100	60	5,5x7,0	200	1,5	2,5	20	32	160	20	RPG7	151	85	80
CNW M 933/6		6	9,7	0,73	1,1	3,7	1,5	140	61	50	110	100	70	5,5x7,0	200	1,5	2,5	20	32	160	20	RPG7	151	85	80
CNW M 933/8		8	7,3	0,73	1,1	3,7	1,5	140	61	50	110	100	70	5,5x7,0	200	1,5	2,5	20	32	160	20	RPG7	151	85	80
CNW M 933/10		10	5,9	0,73	1,8	5,2	1,5	175	61	50	135	130	79	5,5x12,0	300	1,5	2,5	20	35	172	20	RPG4	210	120	80
CNW M 933/12		12	4,9	1,1	2,2	7,2	1,5	175	76	50	135	130	94	5,5x12,0	300	1,5	2,5	20	35	172	20	RPG4	210	120	80
CNW M 933/16		16	3,6	1,1	3,0	9,2	2,5	185	70	50	160	170	58	7,8x12,0	300	2,5	2,5	20	35	210	20	RPG4	250	120	100
CNW M 933/20		20	2,9	1,5	3,6	13,8	4,0	185	90	55	160	170	78	7,8x12,0	300	4,0	6	23	40	215	25	RPG4	250	120	100
CNW M 933/24		24	2,4	2,2	3,6	13,8	4,0	185	90	55	160	170	78	7,8x12,0	300	4,0	6	23	40	215	25	RPG4	250	120	100
CNW M 933/30		30	2,0	2,2	9,0	28,0	6,0	244	100	60	210	185	85	10x18	300	6,0	16,0	26	45	270	32	RPG4	210	120	100
CNW M 933/37		37	1,6	3,3	9,8	28,8	6,0	244	100	60	210	185	85	10x18	300	6,0	16,0	26	45	270	32	RPG4	210	120	100

Protection IP 00 up to IP 64 Overload 1,5 x I _{nom} 1 min / h	Test voltage L-L 2100 V, DC 1 s L-PE 2700 V, DC 1s Climatic category DIN IEC 60068-1
---	---

Designed by M Gillam	Approved by S Hughes	Approved Date 26.08.08	File Name CNWM933	Issue Date 26.08.08	Scale 1:1
REO REO UK LTD Units 2-4, Callow Hill Road Craven Arms, Shropshire SY7 8NT Tel: 01588 673411 Fax: 01588 672718 email: main@reo.co.uk www.reo.co.uk			Title CNWM933 Sinusoidal Filter		Drawing Number CNWM933/XXXX