



REO Rotary Potentiometers offer fine adjustment of voltage and current in a number of applications, especially where the use of sophisticated control electronics is not desirable for example in arduous environments.

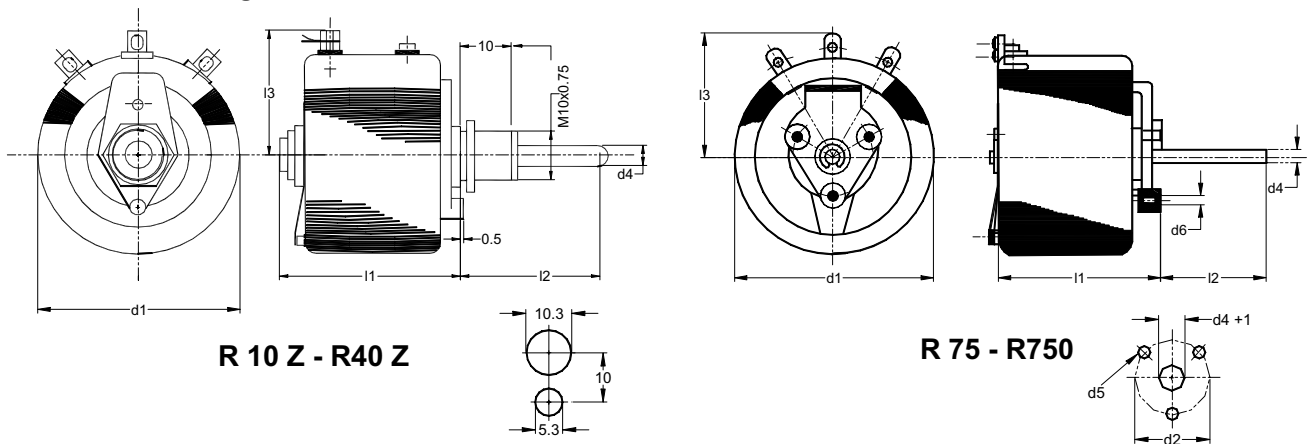
- Power range 16W to 750W
- Resistive Tolerance +/-10% (+/-5%)
- Higher powers achievable using dual and triple gang units
- Graded or stepped windings optional
- Available with integral microswitches
- Motor drives available - contact us for options



Specification

Type	Max Power (W)	Resistance Range (Ohms)	Dimensions (mm)										Angle of Rotation		Connections
			d1	d2	d4	d5	d6	I1	I2	I3	kg	Across Winding	Mechanical		
R10 Z	16	1 - 22000	32	-	6	-	-	26	32	26	0.05	260°	280°	Solder Lugs	
R 20 Z	35	0.82 - 33000	44	-	6	-	36	26		0.1					
R 40 Z	50	0.82 - 56000	55	-	6	-	40	30		0.14	280°	300°	M4 Screws		
R 75	100	0.68 - 56000	72	30	6	4.2	M4	58		45				0.3	
R 100	125	0.68 - 56000	88	36	8	4.2	M4	70		53	0.5	286°	300°	M4 Screws	
R 150	180	1 - 56000	88	36	8	4.2	M4	90		53	0.8				
R 250	300	1 - 56000	146	60	8	4.2	M4	80		82	1.5	290°	300°	M5 Nuts & Bolts	
R 375	450	1 - 56000	146	60	8	4.2	M4	100		92	1.7				
R 500	600	1.2 - 56000	200	80	8	5.3	M5	102		110	2.7	290°	300°	M5 Nuts & Bolts	
R 750	900	1.8 - 56000	200	80	8	5.3	M5	142		110	4.0				

Dimensions & Fixing Detail



REO (UK) LTD

Units 8-10, Long Lane Industrial Estate
 Craven Arms, Shropshire SY7 8DU
 Tel: 01588 673411 Fax: 01588 672718
 email: sales@reo.co.uk
 www.reo.co.uk