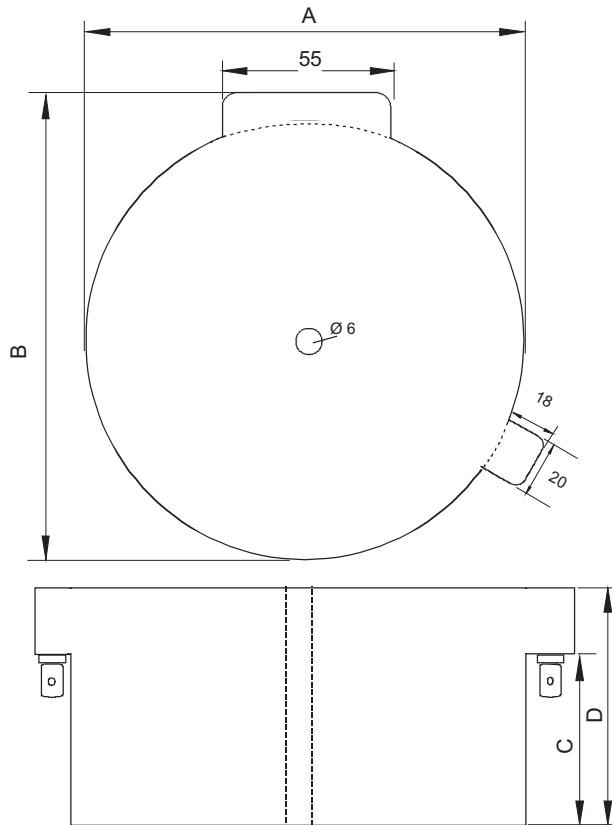
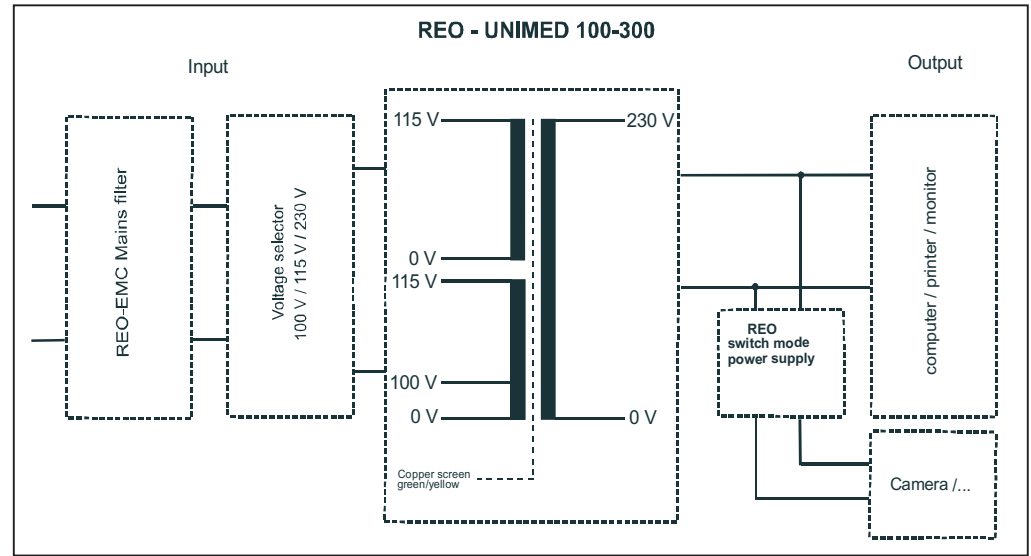


Dimensional Information



Circuit Diagram



Type	A [mm]	B [mm]	C [mm]	D [mm]	Plug in lug	Rated Capacity [VA]	Voltage [V]		Current [A]	Copper [kg]
							Input	Output		
REO-UNIMED 100	110	125	30	50	6,3	100	0...115/ 0-100- 115	230	0,43	0,6
REO-UNIMED 150			30	50		150			0,65	0,8
REO-UNIMED 200			60	80		200			0,87	0,9
REO-UNIMED 250			60	80		250			1,09	1,05
REO-UNIMED 300			60	80		300			1,30	1,2

Conforms to EN 60601-1 / IEC 601-1 / UL 2601.1	Test voltage 4 kV
Protection Connections IP 00	Ambient temperature 40°C

Designed by M Gillam	Approved by S Hughes	Approved Date 06.05.08	File Name REO-UNIMED/xxx	Issue Date 16.05.08	Scale 1:1
REO REO UK LTD Units 2-4, Callow Hill Road Craven Arms, Shropshire SY7 8NT Tel: 01588 673411 Fax: 01588 672718 email: main@reo.co.uk www.reo.co.uk			Title REO-UNIMED TRANSFORMER		Drawing Number REO-UNIMED/xxx Sheet 1 of 1