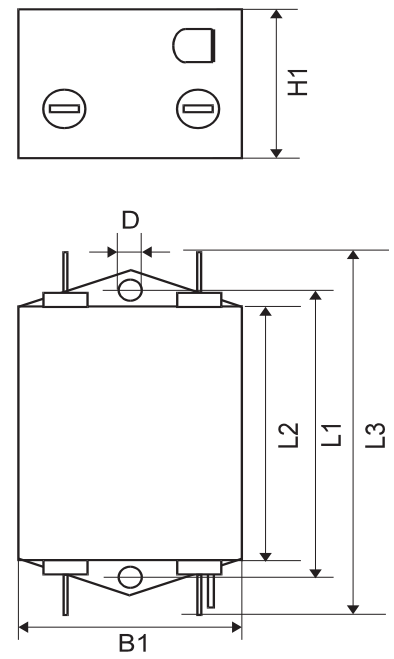


Dimensional Information

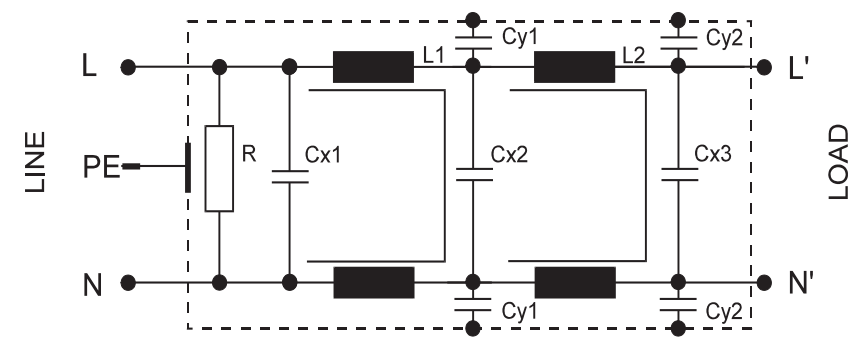


- 1 6,3 mm Spade Connector
- 2 VDFK 4
- 3 VDFK 6
- 4 HDFK 10
- 5 HDFK 25
- 6 HDFK 50

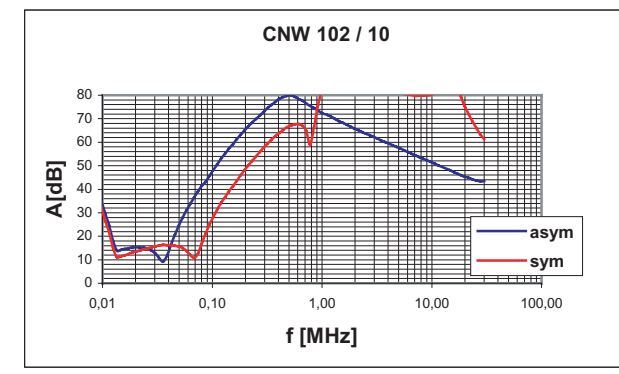
PE - Connector

- 1 6,3 mm Spade Connector
- 2 Earthing bolt

Circuit Diagram



Typical Attenuation



Blue graph 50Ω/50Ω asym. Red graph 50Ω/50Ω sym.

Type	Connection	PE-Connection	B1 [mm]	D [mm]	H1 [mm]	L1 [mm]	L2 [mm]	L3 [mm]	Rated Voltage [V]	Rated current [A]	Leakage Current [mA]	ΣCx [μF]	ΣCy [nF]	ΣL [mH]	R [k Ω]
CNW 102/3	1	1	50	5	40	75	65	93	250	3	<3,5	1	20	13,4	660
CNW 102/6	1	1	50	5	40	75	65	93		6	<3,5	1	20	7,8	660
CNW 102/10	1	1	50	5	40	75	65	93		10	<3,5	1	20	3,6	660
CNW 102/16	1	1	53	5	40	100	90	118		16	<3,5	1	20	2,4	660
CNW 102/20	1	1	53	5	40	100	90	118		20	<3,5	1	20	2,0	660

Conforming to VDE 0565-3/IEC 950/UL 1283	Test voltage L-N 2100 V,DC 1s L/N-PE 2700 V,DC 1s
Overload 1,5 x I _{nom} 1 min / h	Climatic category DIN IEC 60068-1

Designed by M Gillam	Approved by S Hughes	Approved Date 02.7.2009	File Name CNW102.AI	Issue Date 25.2.2005	Scale 1:1
REO REO UK LTD Units 2-4, Callow Hill Road Craven Arms, Shropshire SY7 8NT Tel: 01588 673411 Fax: 01588 672718 email: main@reo.co.uk www.reo.co.uk			Title EMC FILTER TECHNICAL INFORMATION		Sheet 1 of 1
			Drawing Number CNW 102/XX		