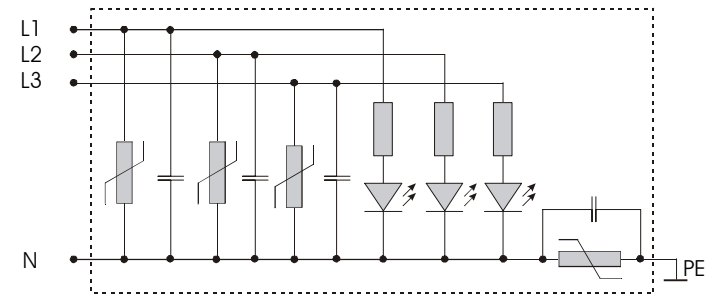
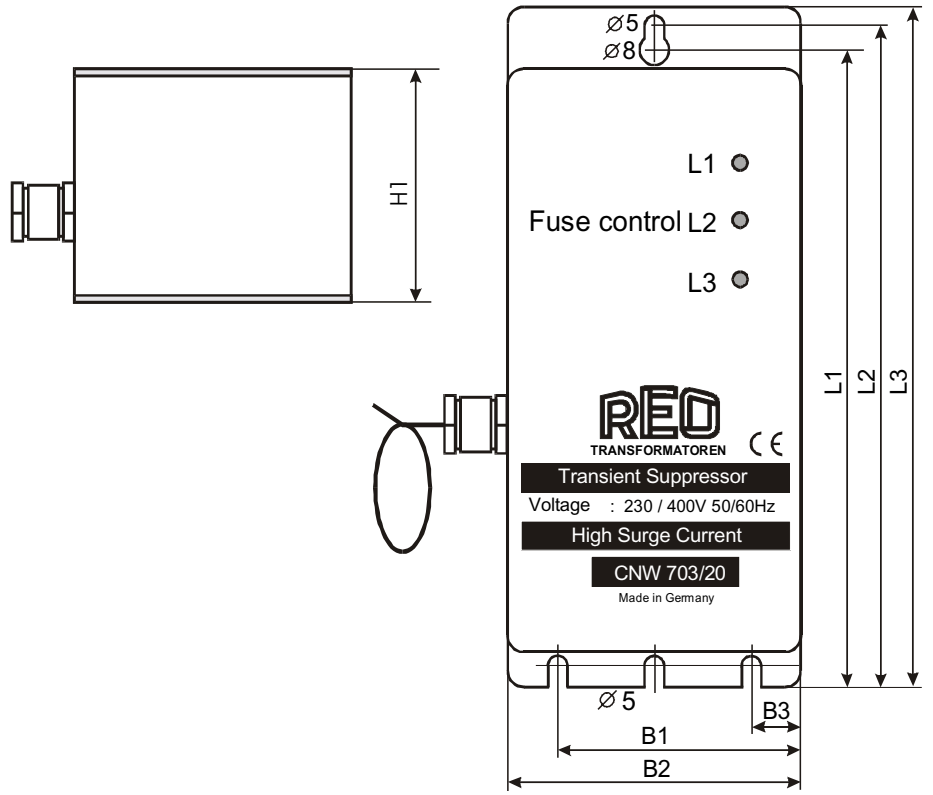
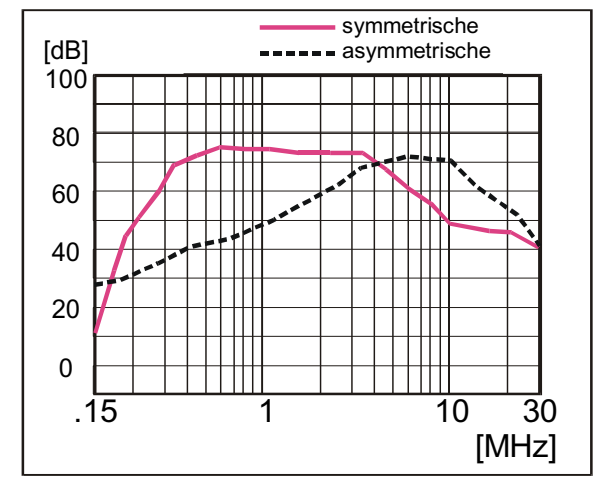


Circuit Diagram



Technical Data

Typical attenuation



Type	B1 [mm]	B2 [mm]	B3 [mm]	H1 [mm]	L1 [mm]	L2 [mm]	L3 [mm]	Connection	Rated Voltage [V]	Surge Current [kA]	Leakage Current [mA]	Surge Current [kA]	Rated Voltage [V]	ΣCx [μF]	ΣCx [μF]	R [kΩ]
CNW 703/20	75	90	15	15	192	199,5	205	0.6m/5x6mm2	3 x 400 50/60Hz	3 x 20	<30	3 x 20	3 x 400 50/60Hz	2,2	2,2	680

conforming to VDE 0565-3/ IEC 950/ UL 1283	Test voltage L-N 2100 V,DC 1 s L/N-PE 2700 V,DC 1 s
Overload 1,5 x I _{Nenn} 1 min / h	Climatic category DIN IEC 60068-1

Designed by M Gillam	Approved by S Hughes	Approved Date 14.03.08	File Name CNW703	Issue Date 02.04.08	Scale 1:1
REO LTD Units 2-4, Callow Hill Road Craven Arms, Shropshire SY7 8NT Tel: 01588 673411 Fax: 01588 672718 email: main@reo.co.uk www.reo.co.uk			Title Transient Suppressor		Sheet 1 of 1
			Drawing Number CNW703/XX		