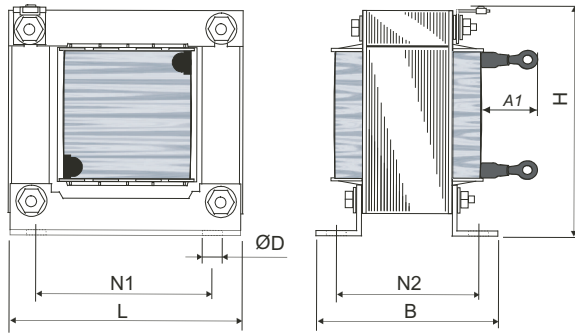
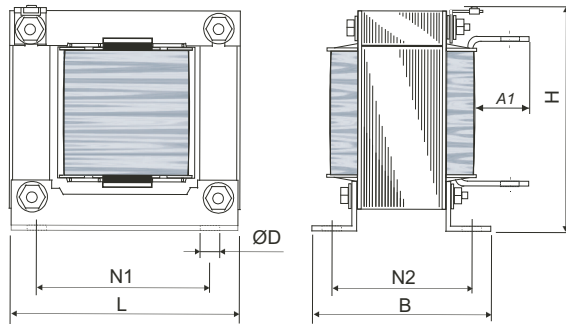


### Dimensional Information

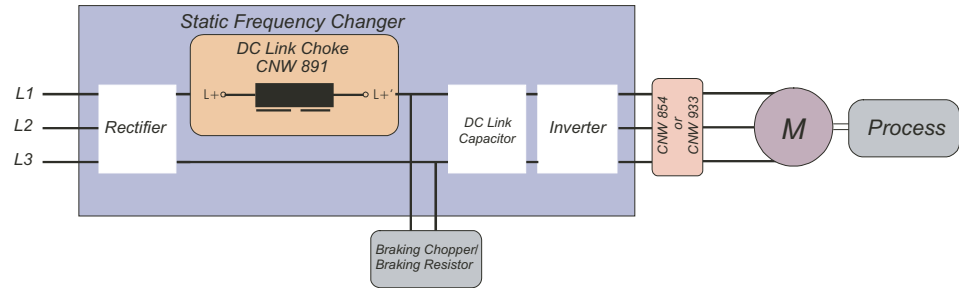
#### Cable Lugs



#### Copper Bar



### Circuit Diagram



Type	Version	Connection	Dimensions							Rated Voltage [V]	Rated Current [A]	Inductance [mH]	Inverter (motor rated current) [kW]	Power Loss [W]	Copper [kg]	Weight [kg]
			L [mm]	B [mm]	H [mm]	N1 [mm]	N2 [mm]	ØD [mm]	A1 [mm]							
CNW 891/8	Cable lugs	M4 x 25	85	79	76	64	44	4,8x9	25	600 <sub>dc</sub>	8	9,4	3,7	15	0,4	2,2
CNW 891/11		M4 x 25	85	95	76	64	59	4,8x9	25		11	6,2	5,5	20	0,5	2,2
CNW 891/15		M4 x 4,0	96	78	88	84	62	5,8x11	30		15	4,8	7,5	23	0,7	3,2
CNW 891/20		M4 x 4,0	96	102	88	84	84	5,8x11	30		20	3,3	11	28	0,8	3,2
CNW 891/28		M5 x 10	105	103	95	84	85	5,8x11	35		28	2,4	15	35	1,1	4,5
CNW 891/34		M5 x 16	120	101	108	90	84	5,8x11	35		34	2,0	18,5	40	1,3	6,3
CNW 891/40		M6 x 16	120	120	108	90	103	5,8x11	35		40	1,6	22	43	1,5	8,0
CNW 891/55		M6 x 25	150	106	134	122	86	7x13	40		55	1,2	30	45	2,3	10,5
CNW 891/70		M8 x 35	150	123	134	122	103	7x13	40		70	0,98	37	50	2,5	12
CNW 891/85		Copper bar	M8	150	149	134	122	129	7x13		40	85	0,81	45	53	2,9
CNW 891/100	M8		174	108	152	135	128	7x13	40	100	0,67	55	65	4,4	25	

conforming to EN 61558-2-20	Test voltage 4000 V AC, 50Hz, 2 sec Winding to earth
Rated voltage max. Tension 800 V	Insulation class T40/B
Protection IP 00	Climatic category DIN IEC 68 Teil 1 25/085/21

Designed by M Gillam	Approved by S Hughes	Approved Date 03.04.08	File Name CNW891/xx	Issue Date 03.04.08	Scale 1:1
<b>REO</b> REO UK LTD Units 2-4, Callow Hill Road Craven Arms, Shropshire SY7 8NT Tel: 01588 673411 Fax: 01588 672718 email: main@reo.co.uk www.reo.co.uk			Title DC LINK CHOKE TECHNICAL INFORMATION		Sheet 1 of 1
			Drawing Number CNW 891/XX		