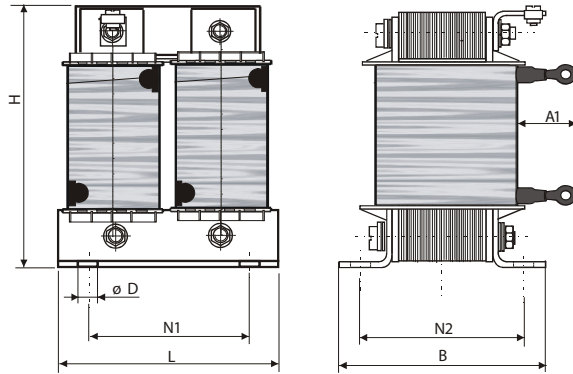
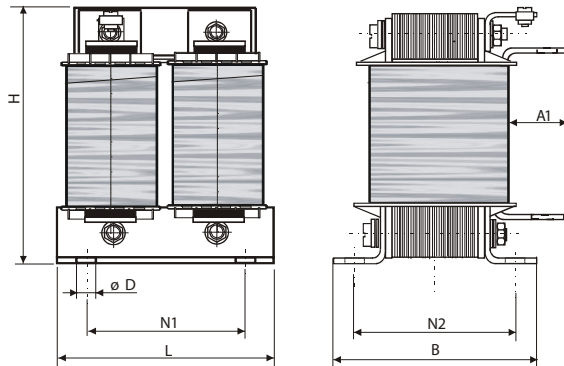


Dimensional Information

Cable Lugs

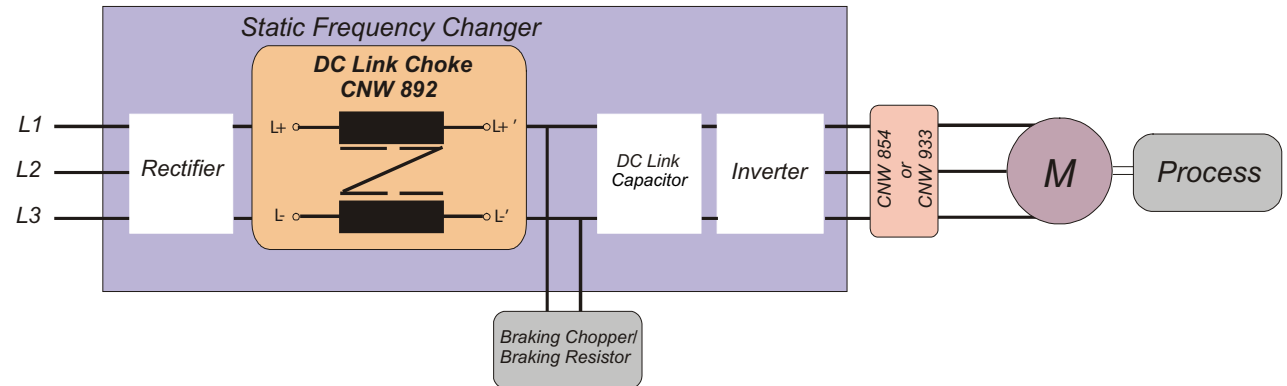


Copper Bar



Type	Rated voltage [V]	Rated current [A]	Inductance with series connection [mH]	for inverter (motor rated current) [kW]	Power loss [W]	Copper [kg]	Weight [kg]	Dimensions [mm]						Connections	
								L	B	H	N1	N2	øD1		A1
CNW 892/8	800V _{DC}	8	9,4	3,7	19	0,4	1,2	80	53	110	50	39	4,8x9	25	M4 x 2,5
CNW 892/11		11	6,2	5,5	22	0,5	1,3	80	63	110	50	49	4,8x9	25	M4 x 2,5
CNW 892/15		15	4,8	7,5	30	1,1	2,5	100	67	138	63	50	6,0x10	30	M4 x 4,0
CNW 892/20		20	3,3	11	33	1,1	2,5	100	67	138	63	50	6,0x10	30	M4 x 4,0
CNW 892/28		28	2,4	15	35	1,3	3,6	100	82	138	63	65	6,0x10	30	M5 x 10
CNW 892/34		34	2,0	18,5	39	1,3	3,6	100	82	138	63	65	6,0x10	30	M5 x 16
CNW 892/40		40	1,6	22	43	2,1	5,4	120	86	160	76	67	7x13	35	M6 x 16
CNW 892/55		55	1,2	30	48	2,3	6,5	120	96	160	76	77	7x13	35	M6 x 25
CNW 892/70		70	0,98	37	55	3,8	8,9	152	90	205	100	71	7x13	35	M8 x 35
CNW 892/85		85	0,81	45	70	0,5 / 1,5	13,3	160	105	215	100	81	7x13	40	25x3 / d=9 mm
CNW 892/100		100	0,67	55	73	0,5 / 1,5	10,5	160	105	215	100	81	7x13	40	25x3 / d=9 mm

Circuit Diagram



Conforming to EN 61558-2-20	Test voltage 4000 V AC, 50Hz, 2 sec Winding to earth
Rated voltage max. Tension 800 V	Insulation class T40/B
Protection IP 00	Climatic category DIN IEC 68 Teil 1 25/085/21

Designed by T Newcombe	Approved by S Hughes	Approved Date 3.1.2007	File Name CNW892 8_100.A1	Issue Date 3.1.2007	Scale 1:1
REO REO UK LTD Units 2-4, Callow Hill Road Craven Arms, Shropshire SY7 8NT Tel: 01588 673411 Fax: 01588 672718 email: main@reo.co.uk www.reo.co.uk			Title EMC FILTER TECHNICAL INFORMATION		Drawing Number CNW 892/XX
					Sheet 1 of 1