

AC Current transformer

Type IE 0,5-FF/25

Description

The classic of Setzermann current transformers is the Select, especially designed for the construction of switch cabinets with currents of 25 - 100 A. This current transformer is used for the monitoring and analysis of currents for measuring technique and evaluation electronics.

◦ conforms to UL 94 V-0

◦ choice of terminals

- suitable for use in railway applications as shock and vibration tested according to DIN EN 61373, category 1, class B
- also available with connection cable

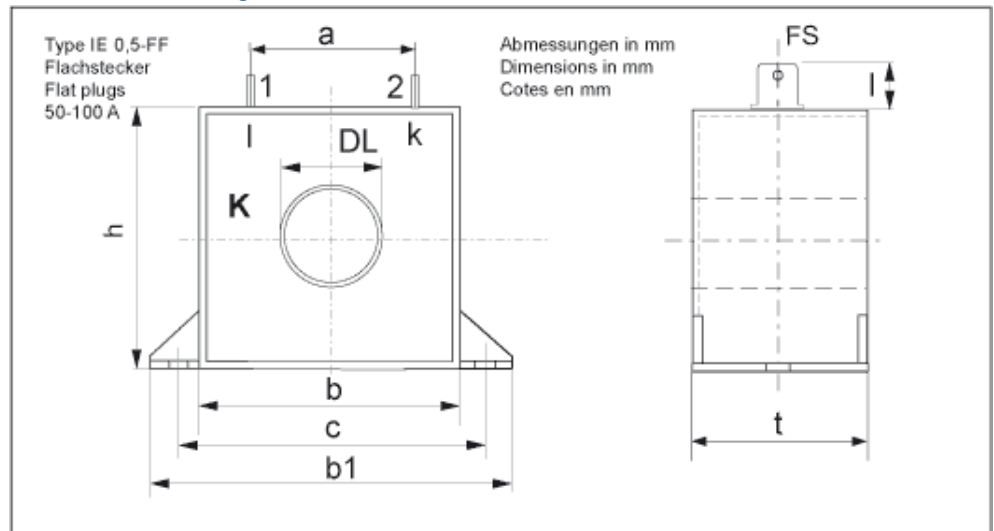
Technical Data

Type IE 0,5-FF/...	.25	.50	.100	Unit
I _{pN}	25	50	100	A
I _{maxpN}	30	60	120	A
I _{aN}	25	50	100	mA
P _{sek}	0,125	0,5	1,0	VA
KN	1000	1000	1000	1:
UB _ü	5	10	10	V
RB	200	200	100	Ohm
FU	<=1	<=1	<=1	%
FLU	<=2	<=2	<=2	%
TA	-25...+85	-25...+85	-25...+85	°C
f	50...400	50...400	50...400	Hz
Isolation	3	3	3	kVac

AC Current transformer

Type IE 0,5-FF/25

Dimension drawing



Type	Pin-connection	High (h)	Width (b)	Depth (t)	Aperture (DL)	Connection	FS distance (a)	Hole distance (c)	Hole (f)	FS length (l)
IE 0,5-FF/25	1-2	38	38/54	20	13	6,3x0,8	30	47	4,8	9
IE 0,5-FF/50	1-2	38	38/54	20	13	6,3x0,8	30	47	4,8	9
IE 0,5-FF/100	1-2	38	38/54	20	13	6,3x0,8	30	47	4,8	9