

AC Current transformer

Type IN 0,5-FF/50

Description

These high-quality toroidal current transformers are ideally suited for precise current measurements for higher frequencies. With their specific core material, the transformers ensure outstanding accuracy and linearity also in the lower current ranges.

◦ conforms to UL 94 V0

◦ choice of terminals

- suitable for use in railway applications as shock and vibration tested according to DIN EN 61373, category 1, class B
- also available with connection cable

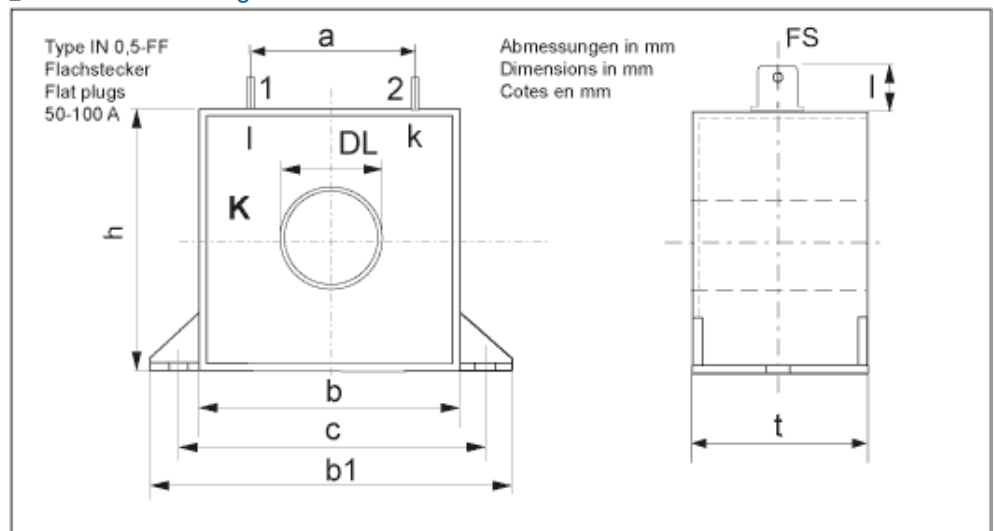
Technical Data

Type IN 0,5-FF/...	.50	.100	Unit
I _{pN}	50	100	A
I _{maxpN}	60	120	A
I _{aN}	50	50	mA
P _{sek}	0,25	0,25	VA
KN	1000	2000	1:
UB _ü	5	5	V
RB	100	100	Ohm
FU	≤0,5	≤0,5	%
FLU	≤1,5	≤1,5	%
TA	-25...+70	-25...+70	°C
f	0,05...50	0,05...50	Hz
Isolation	3	3	kVac

AC Current transformer

Type IN 0,5-FF/50

Dimension drawing



Type	Pin-connection	High (h)	Width (b)	Depth (t)	Aperture (DL)	Connection	FS distance (a)	Hole distance (c)	Hole (f)	FS length (l)
IN 0,5-FF/25	1-2	38	38/54	20	13	6,3x0,8	30	47	4,8	9
IN 0,5-FF/50	1-2	38	38/54	20	13	6,3x0,8	30	47	4,8	9
IN 0,5-FF/100	1-2	38	38/54	20	13	6,3x0,8	30	47	4,8	9