

## AC Current transformer

### Type IZ 0,5/400

#### Description

The Setzermann current transformer Flat Drives for currents of 400 - 1200 A is mounted on busbars and particularly suitable for switch cabinet construction and drive engineering with thyristor controllers. Due to the flat construction this line of products is very cost-effective and easy to install.

◦ compact design

◦ high currents

- high overload factor
- Fully encapsulated

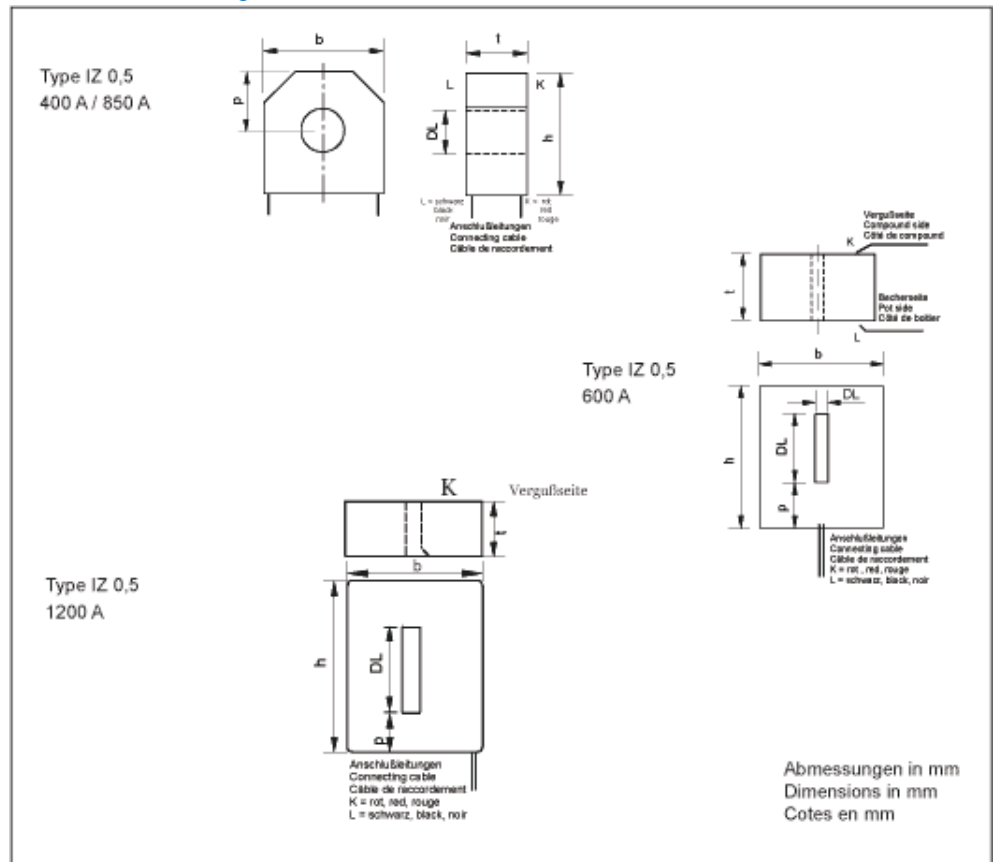
#### Technical Data

Type IZ 0,5/...	.400	.600	.850	.1200	Unit
IpN	400	600	850	1200	A
ImaxpN	800	1200	1700	2400	A
IaN	0,1	0,1	0,1	0,1	A
Psek	0,1	0,1	0,1	0,1	VA
KN	4000	6000	8500	12000	1:
UBü	1	1	1	1	V
RB	10	10	10	10	Ohm
FU	<=1	<=1	<=1	<=1	%
FLU	<=2	<=2	<=2	<=2	%
TA	-25...+85	-25...+85	-25...+85	-25...+85	°C
f	45...400	45...400	45...400	45...400	Hz
Isolation	3	3	3	3	kVac

# AC Current transformer

## Type IZ 0,5/400

### Dimension drawing



Type	Pin-connection	High (h)	Width (b)	Depth (t)	Aperture (DL)	Distance (p)
IZ 0,5/400	rt-sw	62	60	31	22	30
IZ 0,5/600	rt-sw	65	56	33	31x5,5	20
IZ 0,5/850	rt-sw	62	60	31	22	30
IZ 0,5/1200	rt-sw	130	104	40	61x11	32