

REOLOAD 101

REO Resistive load



Unique Selling Point

- Equipment can be controlled locally or via a PLC.
- fine adjustment locally using motorised circular adjustment potentiometer or remotely via PLC
- additional 24 VDC supply provided for PLC control
- transportable version and option of connection via plug connectors or test lead sockets possible

Description

Applications: These load units are designed for continuous operation and are used for endurance testing of converters and switch mode power supplies for railway applications.

- Conform to VDE 0100
- Test voltage: 3 kV
- Protection: IP 20
- Ambient temperature: 40 °C

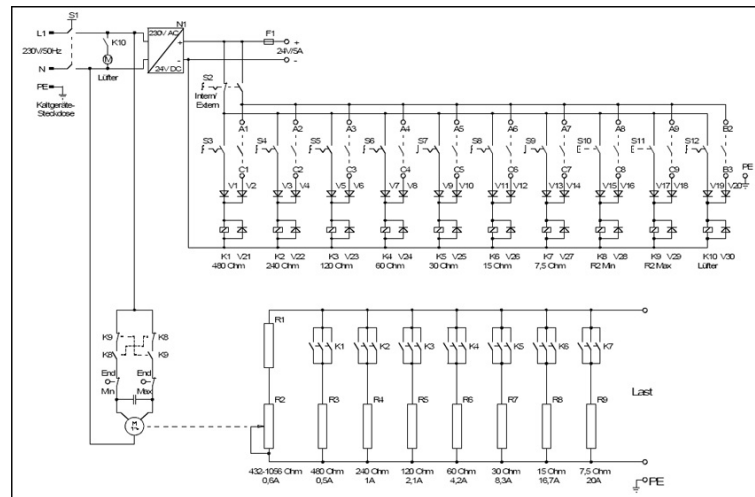
Features

- 7 fixed resistor stages and a fine trimming stage
- control by Ø 22 mm push-buttons and switches
- integral forced cooling and digital interface for external PLC control with 24 V DC relay
- Individual resistor stages can be switched in and out via contactors.

Technical Data

- Voltage : 250 V
- Current : 0,5 - 20 A
- Resistance values : 7,4 - 1056 Ω

Connection diagram



REOLOAD 101

REO Resistive load

Technical data

Type	Supply voltage [V, AC]	Control voltage [V]	Ohmic values [Ω]	Current [A]
REOLOAD 101	250 bzw. 150 with the 20 A-Stage 50 / 60 Hz	230	430-1056	0,6
			480	0,5
			240	1,0
			120	2,1
			60	4,2
			30	8,3
			15	16,7
	7,4	20		

Control inputs: 24 V DC

Fine trim stage adjustment time: 35 secs for the full control range

Surface finish: RAL 7032

FA Cooling

Dimension drawing

