

# CNW 901

Single-phase mains choke 4%



## Unique Selling Point

- Compact design
- Extended life-time of electrical consumers
- Low temperature rise
- Attenuation of current spikes of up to 60%
- Reduction of the input current up to 20%
- Low noise
- Production according to UL insulation system E251513 possible

## Description

Power Noise Reduction - save up to 20% energy costs. A mains choker relieved the supply network by compensating the harmonics reactive power. The harmonics and commutation notches are reduced much. By using a mains choke the inverter electronics and DC-capacitors will be protected.

Starting currents and current peaks are reduced up to 60%. Mains chokes helps to comply with international power quality standards IEEE 519 or EN 61000-3-2.

- Rated voltage:  $U \leq 250$  V
- Short circuit: Uk 4% (230VAC/50Hz, INenn)
- Frequency: 50/60 Hz
- According to: EN 60289 / EN 61558
- Test voltage: L-PE 2500 V, DC 1min
- Insulation class: T40/F
- Protection rating: IP00
- Climatic categorie: DIN IEC 60068-1
- Overload: 1,5 x INenn 1 min / h
- Design: mounted on foot print

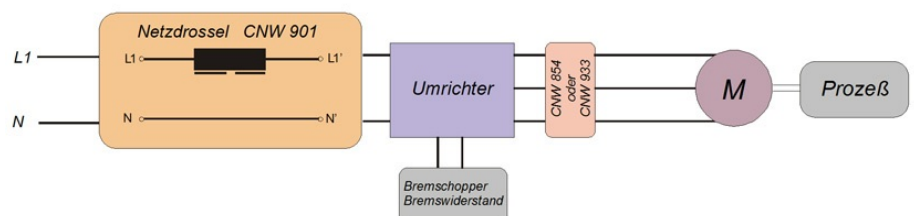
## Typical Applications

- Drive systems for motor drives:
  - Mechanical engineering Pumpen
  - Conveyor technology
  - Ventilation and air conditioning
  - Robotics
- Automation technology
  - Power supplies

## Technical Data

- Nominal Voltage : 250 V
- Rated current : 2 - 100 A
- Inductance : 0,29 - 14,5 mH

## Circuit



# CNW 901

Single-phase mains choke 4%

## Technical data

Type	Rated voltage/ frequency [V]	Rated current [A]	Rated inductance [mH]	Copper [kg]	Weight [kg]
CNW 901 / 2	250 50/60 Hz	2	14,5	0,2	0,6
CNW 901 / 4		4	7,3	0,2	0,6
CNW 901 / 6		6	4,8	0,2	0,6
CNW 901 / 8		8	3,6	0,25	0,8
CNW 901 / 10		10	2,9	0,3	1,1
CNW 901 / 16		16	1,8	0,4	1,4
CNW 901 / 20		20	1,5	0,5	2,0
CNW 901 / 25		25	1,1	0,55	2,0
CNW 901 / 30		30	0,95	0,65	2,0
CNW 901 / 35		35	0,84	0,8	3,1
CNW 901 / 40		40	0,73	0,9	3,9
CNW 901 / 45		45	0,65	1,0	3,9
CNW 901 / 50		50	0,57	1,3	4,6
CNW 901 / 63		63	0,5	1,3	5,5
CNW 901 / 75		75	0,4	1,6	7,1
CNW 901 / 100		100	0,29	2,4	8,3

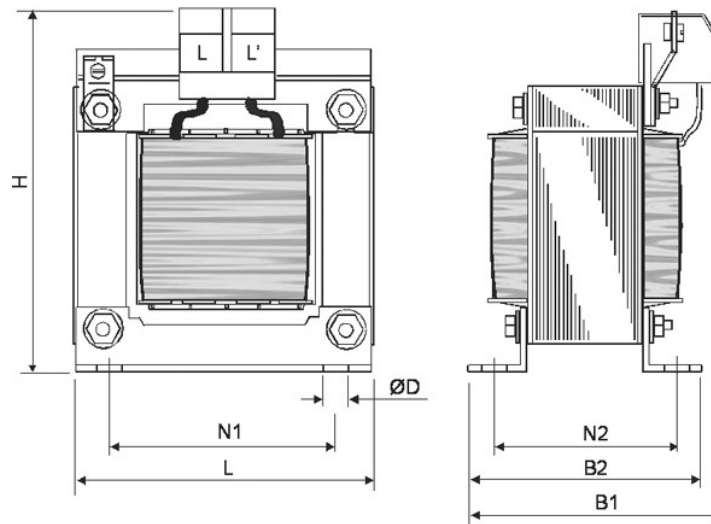
Higher power ratings on request

For Europe	For USA
Frequency: 50 Hz	Frequency: 60 Hz
Short circuit voltage Uk: 4% (by 400V)	Short circuit voltage Uk: 9,6% (by 200V)
Voltage drop: 9,23 V/branch	Voltage drop: 11,05 V/branch

# CNW 901

Single-phase mains choke 4%

## Dimensions drawing



## Dimensions

Type	L [mm]	B1 [mm]	B2 [mm]	H [mm]	N1 [mm]	N2 [mm]	ØD [mm]	Terminals [mm]
CNW 901/2	60	65	48	65	44	38	3,6x7,0	2,5
CNW 901/4	60	70	49	66	44	38	3,6x7,0	2,5
CNW 901/6	60	65	47	70	44	38	3,6x7,0	2,5
CNW 901/8	60	70	59	66	44	47	3,6x7,0	2,5
CNW 901/10	66	80	72	78	50	56	4,8x9,0	2,5
CNW 901/16	78	80	60	80	57	46	4,8x9,0	4,0
CNW 901/20	85	90	75	85	64	62,5	4,8x9,0	4,0
CNW 901/25	85	85	76	95	64	62,5	4,8x9,0	4,0
CNW 901/30	85	100	75	95	64	59	4,8x9,0	10,0
CNW 901/35	96	100	88	140	84	72	5,8x11,0	10,0
CNW 901/40	96	103	102	145	84	85	5,8x11,0	10,0
CNW 901/45	96	103	102	150	84	85	5,8x11,0	10,0
CNW 901/50	105	115	103	155	84	87	5,8x11,0	10,0
CNW 901/63	120	130	101	180	90	85	5,8x11,0	35
CNW 901/75	120	150	120	180	90	104	5,8x11,0	35
CNW 901/100	150	130	106	205	122	86	7,0x13,0	35