

with
patented
encapsulation
technology



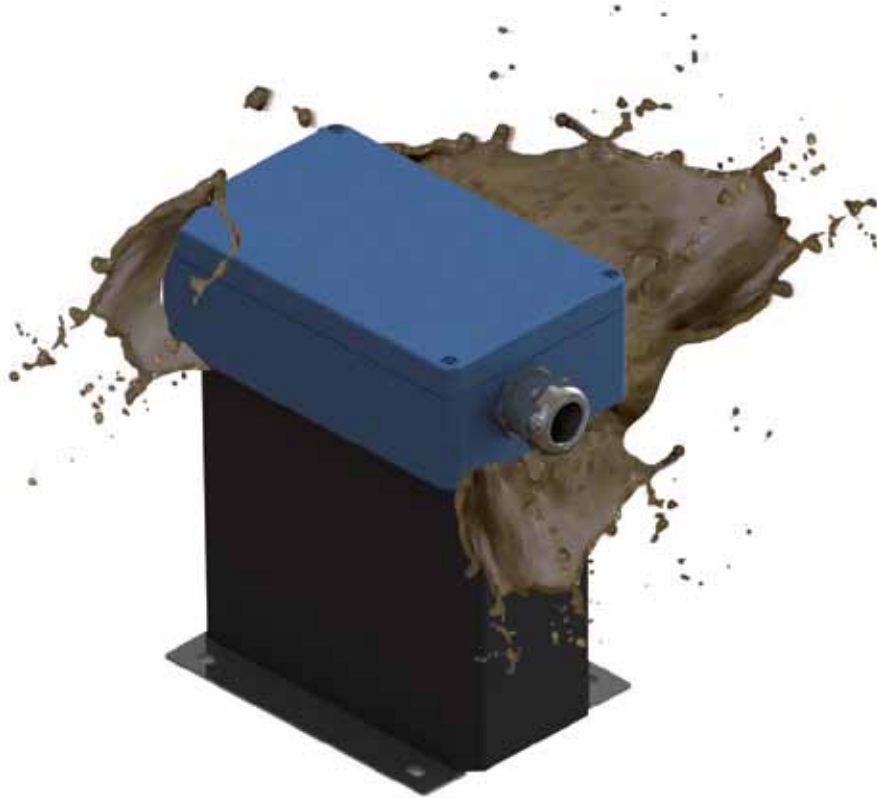
Chokes with REO environmental protection

Fully encapsulated REO chokes

Special print for
SPS 2013



High ingress protection ratings up to IP65 for REO chokes



The protection category describes the specific environment for electrical equipment. Especially in aggressive environments, in climates with high temperature variations or other severe climatic conditions, the use of products with a high protection class is essential.

To receive such a high protection class for chokes, REO has developed the patented encapsulation. With the combination of the completely protected terminal box, the equipment could be placed outside of the frequency converter. Therefore the additional costs of switch cabinets can be saved.

The advantages at a glance:

- ✓ **The special design allows external mounting outside of the Inverter, without the need for an additional enclosure**
- ✓ **Particularly robust**
- ✓ **Protection from dust, liquids and slurries**

dv/dt-Filter CNW M 833 / IP

Applications:

The dv/dt filter is used to reduce the voltage slew rate at the drive, for increased motor life by reducing the voltage peaks

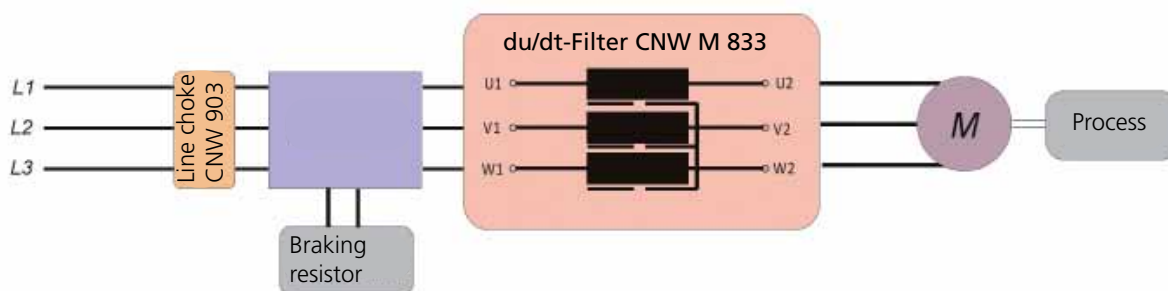
- Test voltage 2500 Vdc
- Climatic category DIN IEC 60068-1

Benefits:

- low leakage current to the motor
- low noise
- easy connection
- produced according to UL insulation system E 251513 is possible



Circuit example:



Technical Data:

Type	Rated voltage [V]	Rated current [A]	Inductance [mH]	Capacity [pF]	Total weight [kg]
CNW M 833 / 8 / 2 / IP	3 x 400 V ≤ 60 Hz	8	2	330	3,3
CNW M 833 / 16 / 0,9 / IP		16	0,9	330	4,5
CNW M 833 / 36 / 0,42 / IP		36	0,42	1500	9



All chokes (CNW M 833, CNW M 854, CNW M 903 and CNW M 933) are available up to 180A - just contact us.

Motor chokes (3 x 500V) (8A - 37A) CNW M 854 / IP

Applications:

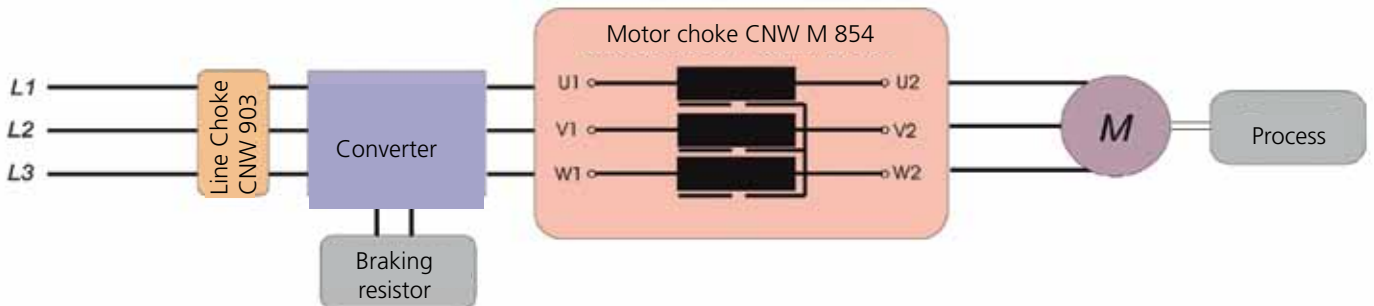
- Increased motor life
- Reduction of dv/dt to earth and between the phases
- Reduction of motor noise
- Test voltage L-L 2100 V, DC 1 s; L-PE 2700 V, DC 1s
- Overload $1,5 \times I_{Nenn}$ 1 min / h
- Climatic category DIN IEC 60068-1

Benefits:

- use in demanding environment
- optimal protection for the choke
- retrofit possible at any stage, up to IP64
- various different connections available
- customer specific mounting plate for fixing
- lower surface temperature
- low noise
- UL-listed



Circuit example:



Technical Data:

Type	Rated voltage [V]	Rated current [A]	Inductance [mH]	Copper weight [kg]	Total weight [kg]	Size	Cable [mm ²]
CNW M 854 / 2 / IP	up to 3 x 500 V	2	7,0	0,4	1,3	011	1,5
CNW M 854 / 4 / IP		4	3,6	0,4	1,3	011	1,5
CNW M 854 / 6 / IP		6	2,3	0,5	1,7	012	1,5
CNW M 854 / 8 / IP		8	2,0	0,5	1,7	012	1,5
CNW M 854 / 10 / IP		10	1,7	0,9	2,4	021	1,5
CNW M 854 / 12 / IP		12	1,1	1,1	3,2	022	1,5
CNW M 854 / 16 / IP		16	0,9	1,1	3,2	022	2,5
CNW M 854 / 24 / IP		24	0,8	1,7	4,6	031	4,0
CNW M 854 / 30 / IP		30	0,5	1,7	4,6	031	4,0
CNW M 854 / 37 / IP		37	0,4	2,1	6,6	032	6,0

Three-phase Line chokes 4 % Uk (3 x 500 V) (3 A- 36 A), CNW M 903 / IP

Applications:

Used on the input side of the inverter

Reduction of harmonics and reduction of commutation losses

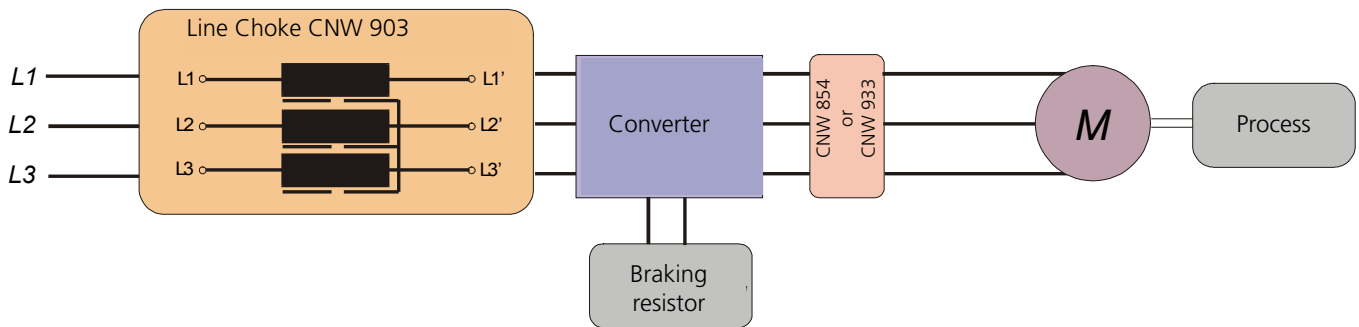
- Test voltage L-L 2100 V, DC 1 s, L-PE 2700 V, DC 1 s
- Overload $1,5 \times I_{Nenn}$ 1 min / h
- Climatic category DIN IEC 60068-1

Benefits:

- compact encapsulated unit
- various different connections available
- retrofit possible at any stage
- customer specific mounting plate for fixing
- lower surface temperature
- low noise
- UL-listed



Circuit example:



Technical Data:

Type	Rated voltage [V]	Rated current [A]	Uk	Induktivität [mH]	Copper weight [kg]	Total weight [kg]	Size	Cable [mm ²]
CNW M 903 / 3 / IP	up to 3 x 500 V	3	4%	9,8	0,5	1,2	011	1,5
CNW M 903 / 6 / IP		6	4%	4,8	0,7	1,6	012	1,5
CNW M 903 / 8 / IP		8	4%	3,6	1,0	2,4	021	1,5
CNW M 903 / 10 / IP		10	4%	2,9	1,1	3,2	022	1,5
CNW M 903 / 12 / IP		12	4%	2,4	1,1	3,2	022	1,5
CNW M 903 / 16 / IP		16	4%	1,8	1,6	4,6	031	2,5
CNW M 903 / 25 / IP		25	4%	1,2	2,2	6,6	032	4,0
CNW M 903 / 36 / IP		36	4%	0,81	2,5	6,6	032	6,0

Sinusoidal (3 x 500 V) (2 A – 37 A) CNW M 933 / IP

Applications:

The output current and voltage on a frequency converter are converted into a sine-wave
Suitable for long motor cable runs
Increased motor life
Reduction of noise

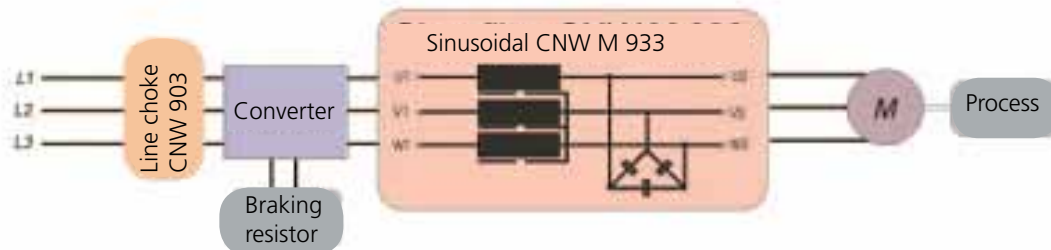
- Test voltage L-L 2100 V, DC 1 s, L-PE 2700 V, DC 1 s
- Overload $1,5 \times I_{Nenn}$ 1 min / h
- Climatic category DIN IEC 60068-1

Benefits:

- use in demanding environments
- optimal mechanical protection of the choke
- various different connections available
- customer specific mounting plate for fixing
- lower surface temperature
- low noise
- UL-listed



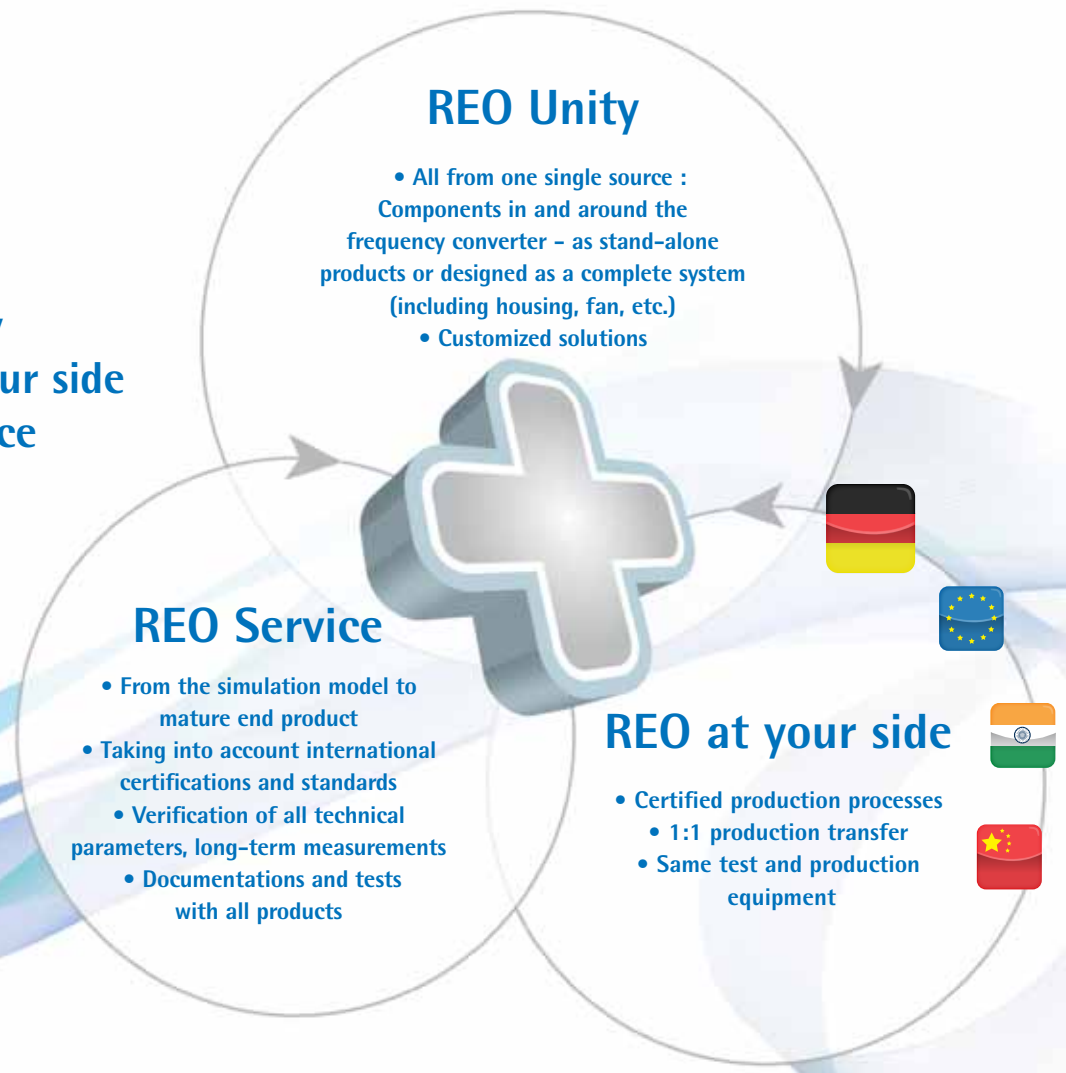
Circuit example:



Technical Data:

Type	Rated voltage [V]	Rated current [A]	Inductance [mH]	Capacity [μ F]	Total weight [kg]
CNW M 933 / 2 / IP	up to 3 x 500 V	2	29,3	0,22	2,5
CNW M 933 / 4 / IP		4	14,6	0,33	2,5
CNW M 933 / 6 / IP		6	9,7	0,73	3,7
CNW M 933 / 8 / IP		8	7,3	0,73	3,7
CNW M 933 / 10 / IP		10	5,9	0,73	5,2
CNW M 933 / 12 / IP		12	4,9	1,1	7,2
CNW M 933 / 16 / IP		16	3,6	1,1	9,2
CNW M 933 / 20 / IP		20	2,9	1,5	13,8
CNW M 933 / 24 / IP		24	2,4	2,2	13,8
CNW M 933 / 30 / IP		30	2,0	2,2	28,0
CNW M 933 / 37 / IP		37	1,6	3,3	28,8
CNW M 933 / 48 / 1,2 / IP		3 x 400 V ≤ 60 Hz	48	1,2	10
CNW M 933 / 60 / 0,9 / IP	60		0,9	20	32,5
CNW M 933 / 90 / 0,65 / IP	90		0,65	25	55
CNW M 933 / 175 / 0,3 / IP	175		0,3	120	115

- REO Unity
- REO at your side
- REO Service



Worldwide Sales Network

With a worldwide sales network and comprehensive product portfolio, REO can react rapidly to your wishes anywhere in the world - no matter what language you speak. Besides our wide selection of standard products, we can of course offer you tailor-made solutions, developed specially to meet your wishes. Our production facilities in China, India and the USA are equipped in exactly the same way as those in Germany, and designed to provide the same product at the same quality. Using the same software and with development and design in Germany we ensure that REO products are always up to the latest state of the art. Wherever you are, even after the 1000th production run, a REO product always has the same quality.

■ REO (UK) Ltd.

Units 2-4 Callow Hill Road · Craven Arms
Shropshire · SY7 8NT · UK
Tel.: +44 (0)1588 673 411
Fax: +44 (0)1588 672 718

E-Mail: main@reo.co.uk
Internet: www.reo.co.uk

■ Headquarters - Germany

REO ELEKTRONIK AG

Brühler Straße 100 · D-42657 Solingen
Tel.: +49 (0)212 8804 0 · Fax: +49 (0)212 8804 188

REO INDUCTIVE COMPONENTS AG

Brühler Straße 100 · D-42657 Solingen
Tel.: +49 (0)212 8804 0 · Fax: +49 (0)212 8804 188

E-Mail: info@reo.de
Internet: www.reo.de

■ China

REO Shanghai Inductive Components Co., Ltd
No. 536 ShangFeng Road · Pudong, 201201 Shanghai · China
Tel.: +86 (0)21 5858 0686 · Fax: +86 (0)21 5858 0289
E-Mail: info@reo.cn · Internet: www.reo.cn

■ France

REO VARIAC S.A.R.L.
ZAC Du Clos aux Pois 1 · 6/8 rue de la Closerie-LISSES · F-91048 Evry Cédex
Tel.: +33 (0)1 6911 1898 · Fax: +33 (0)1 6911 0918
E-Mail: reovariac@reo.fr · Internet: www.reo.fr

■ India

REO GPD INDUCTIVE COMPONENTS PVT. LTD
2/202 Luna Road · Village Luna · Taluka Padra
Vadodara - 391440 · India
Tel.: +91 (2662) 221723, +91 (265) 2396148 · Fax: +91 (265) 2396971
E-Mail: info@reogpd.com · Internet: www.reo-ag.in

■ Italy

REO ITALIA S.r.l.
Via Treponti, 29 · I-25086 Rezzato (BS)
Tel.: +39 030 279 3883 · Fax: +39 030 279 0600
E-Mail: info@reitalia.it · Internet: www.reoitalia.it

■ Poland

REO CROMA Sp. zo. o
ul. Pozaryskiego 28, bud 20 · PL-04-703 Warszawa
Tel.: +48 (0)22 812 3066 · Fax: +48 (0)22 815 6906
E-Mail: croma@croma.com.pl · Internet: www.croma.com.pl

■ Spain

REO ESPAÑA 2002 S.A.
C/Manuel Ventura i Campeny 21B · local 9 · E-08339 Vilassar de Dalt (Barcelona)
Tel.: +34 937 509 994 · Fax: +34 937 509 995
E-Mail: info@reospain.com · Internet: www.reospain.com

■ Switzerland

REO ELEKTRONIK AG
Im Halbiacker 5a · CH-8352 Elsau
Tel.: +41 (0)52 363 2820 · Fax: +41 (0)52 363 1241
E-Mail: info@reo.ch · Internet: www.reo.ch

■ Turkey

REOTURKEY ELEKTRONIK San. ve Tic. Ltd. Şti.
Halil Rifatpasa Mah. · Darülcenze CD Perpa Tic Merkezi
B Blok Kat 8 No:1095 · TR-34384 Sisli – Istanbul
Tel.: +90 (0)212 2215 118 · Fax: +90 (0)212 2215 119
E-Mail: info@reo-turkey.com · Internet: www.reo-turkey.com

■ USA

REO-USA, Inc.
8450 E. 47th St · USA-Indianapolis, IN 46226
Tel.: +1 (317) 899 1395 · Fax: +1 (317) 899 1396
E-Mail: info@reo-usa.com · Internet: www.reo-usa.com

Questions or suggestions?
Please contact our team
in Kyritz:

Tel.: +49(0)33971 485 0