

Motor choke CNW MD 835

Space-saving 5-limb-choke
with liquid cooling

Motor choke CNW MD 835

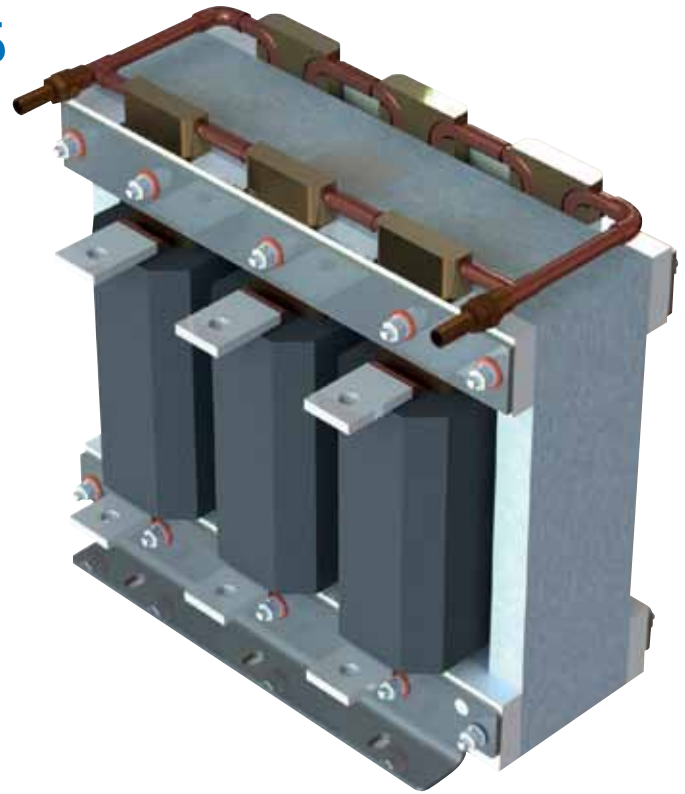
Space-saving 5-limb-choke with liquid cooling

A motor choke allows the use longer motor cables, protects the motor and its insulation, reduces commutation effects and is indispensable for improving the electromagnetic compatibility (EMC) of the entire system.

Depending on the design of the motor control system, so-called common-mode disturbances can occur, which thermally load the choke and lead to leakage of the magnetic field, which can significantly affect metal components in the vicinity. An additional unwound limb, ensures that the choke can always transfer and attenuate these interferences, until they can be discharged to earth.

REO liquid-cooled motor chokes series 835 CNW solve these problems in an exceptional way, in addition they are space-saving, the production and material costs are lower and thus more cost-effective and they are considerably lighter than a solution with, for example, three separate single-chokes.

Furthermore, the motor choke limits the mains disturbances occurring as current peaks and voltage drops in the network. Such disturbances can affect electrical systems and are caused by switching operations or earth faults. REO motor chokes make an important contribution to improve the electromagnetic compatibility (EMC) of the entire assembly.

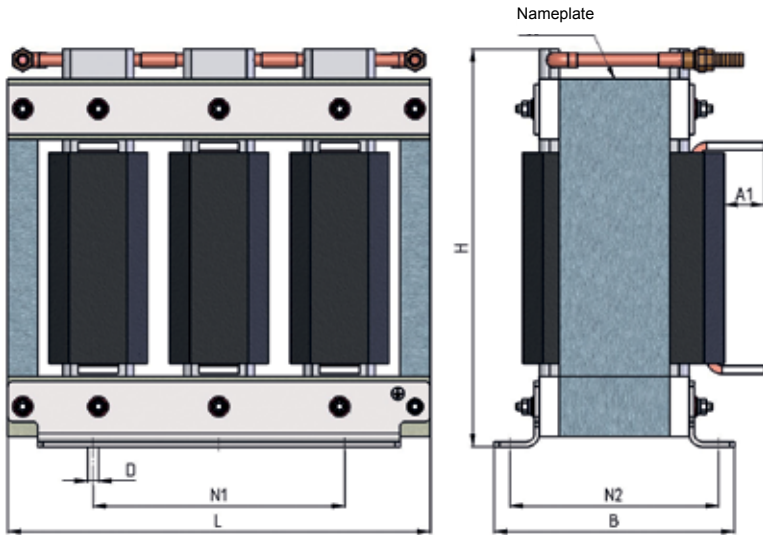


The benefits at a glance:

- + Up to 40% weight saving
- + Up to 40% construction volume savings
- + low thermal heating
- + Attenuation of common mode disturbances
- + high efficiency
- + low noise
- + Manufacturing according to UL
Isolation System E251513 possible

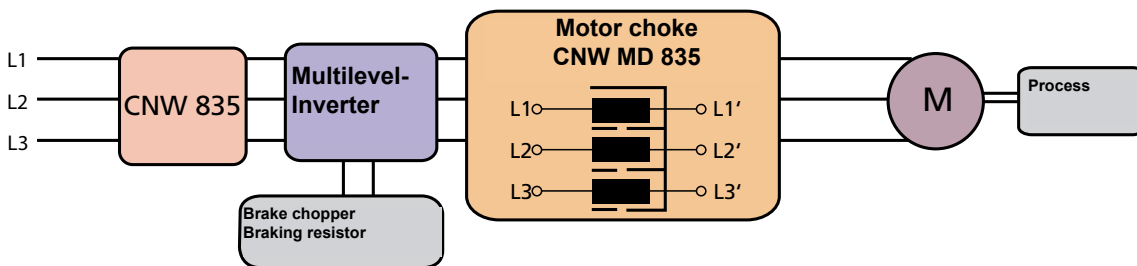
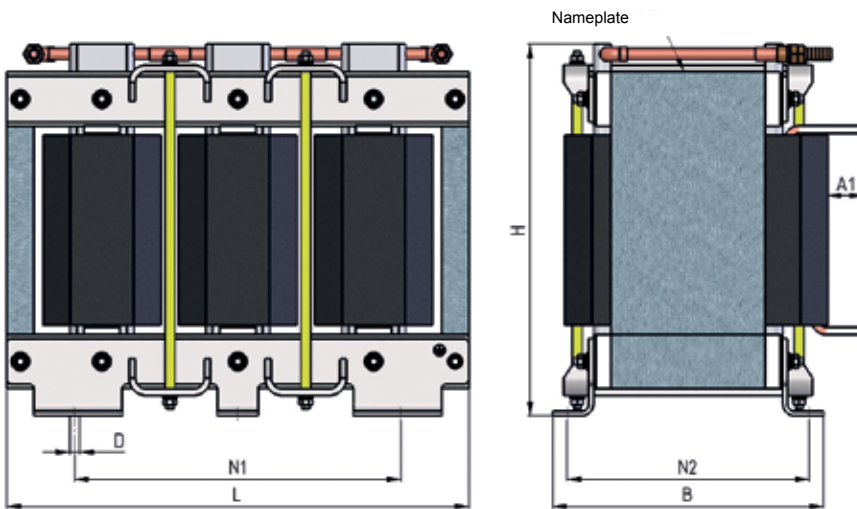
Technische Daten

Type	Rated voltage [V]	Rated current [A]	Inductance per branch [mH]	Copper [kg]	Weight ca. [kg]
CNW MD 835/450	500	450	0,028	22	80
CNW MD 835/650	500	600	0,042	5	115
CNW MD 835/700	500	700	0,02	5	125



Applications

- Smoothing of current and voltage in regenerative converters
- Damping of common-mode interference



Mechanical data

Type	Image	Dimensions							Connection
		L [mm]	B [mm]	Hmax [mm]	N1 [mm]	N2 [mm]	øD [mm]	A1 [mm]	
CNW MD 835/450	1	450	200	345	270	170	13	45	30 x 4
CNW MD 835/600	1	420	240	395	250	210	13	45	40 x 5
CNW MD 835/700	2	425	265	420	260	220	13	45	40 x 8



REO Drives Division

Holzhausener Straße 52
D-16866 Kyritz

Tel.: +49 (0)33971 485 0
Fax: +49 (0)33971 485 90

E-Mail: info@reo.de
Internet: www.reo.de

■ Headquarter:

REO INDUCTIVE COMPONENTS AG

Brühler Straße 100 · D-42657 Solingen
Tel.: +49 (0)212 8804 0 · Fax: +49 (0)212 8804 188

E-Mail: info@reo.de
Internet: www.reo.de

Divisions:

REO Test and PowerQuality Division

Brühler Straße 100 · D-42657 Solingen
Tel.: +49 (0)212 8804 0 · Fax: +49 (0)212 8804 188
E-Mail: info@reo.de

REO Train Technologies Division

Centre of Competence Berlin
Erasmusstraße 14 · D-10553 Berlin
Tel.: +49 (0)30 3670236 0 · Fax: +49 (0)30 3670236 10
E-Mail: zentrale.berlin@reo.de

REO Train Technologies Division - Production

Eduard-Maurer-Straße 13 · D-16761 Hennigsdorf

REO Medical Division

Schulholzinger Weg 7 · D-84347 Pfarrkirchen
Tel.: +49 (0)8561 9886 0 · Fax: +49 (0)8561 9886 40
E-Mail: info@reo.de

PRODUCTION + SALES:

■ China

REO Shanghai Inductive Components Co., Ltd
No. 536 ShangFeng Road · Pudong, 201201 Shanghai · China
Tel.: +86 (0)21 5858 0686 · Fax: +86 (0)21 5858 0289
E-Mail: info@reo.cn · Internet: www.reo.cn

■ India

REO GPD INDUCTIVE COMPONENTS PVT. LTD
2/202 Luna Road · Village Luna · Taluka Padra
Vadodara - 391440 · India
Tel.: +91 (2662) 221723, +91 (265) 2396148 · Fax: +91 (265) 2396971
E-Mail: info@reogpd.com · Internet: www.reo-ag.in

■ USA

REO-USA, Inc.
8450 E. 47th St · USA-Indianapolis, IN 46226
Tel.: +1 (317) 899 1395 · Fax: +1 (317) 899 1396
E-Mail: info@reo-usa.com · Internet: www.reo-usa.com

SALES:

■ France

REO VARIAC S.A.R.L.
ZAC Du Clos aux Pois 1 · 6/8 rue de la Closerie-LISSES · F-91048 Evry Cédex
Tel.: +33 (0)1 6911 1898 · Fax: +33 (0)1 6911 0918
E-Mail: reovariac@reo.fr · Internet: www.reo.fr

■ Great Britain

REO (UK) Ltd.
Units 2-4 Callow Hill Road · Craven Arms · Shropshire SY7 8NT · UK
Tel.: +44 (0)1588 673 411 · Fax: +44 (0)1588 672 718
E-Mail: main@reo.co.uk · Internet: www.reo.co.uk

■ Italy

REO ITALIA S.r.l.
Via Tre Ponti, 29 · I-25086 Rezzato (BS)
Tel.: +39 030 279 3883 · Fax: +39 030 279 0600
E-Mail: info@reotalia.it · Internet: www.reotalia.it

■ Poland

REO CROMA Sp. z o.o.
ul. Pozaryskiego 28, bud 20 · PL-04-703 Warszawa
Tel.: +48 (0)22 812 3066 · Fax: +48 (0)22 815 6906
E-Mail: croma@croma.com.pl · Internet: www.croma.com.pl

■ Spain

REO ESPAÑA 2002 S.A.
C/Manuel Ventura i Campeny 21B · local 9 · E-08339 Vilassar de Dalt (Barcelona)
Tel.: +34 937 509 994 · Fax: +34 937 509 995
E-Mail: info@reospain.com · Internet: www.reospain.com

■ Switzerland

REO ELEKTRONIK AG
Im Halbiacker 5a · CH-8352 Elsau
Tel.: +41 (0)52 363 2820 · Fax: +41 (0)52 363 1241
E-Mail: info@reo.ch · Internet: www.reo.ch

■ Turkey

REOTURKEY ELEKTRONIK San. ve Tic. Ltd. Şti.
Halil Rıfatpaşa Mah. · Darülcenze CD Perpa Tic. Merkezi
B Blok Kat 8 No:1095 · TR-34384 Sisli – İstanbul
Tel.: +90 (0)212 2215 118 · Fax: +90 (0)212 2215 119
E-Mail: info@reo-turkey.com · Internet: www.reo-turkey.com