

Three-phase line choke CNW 915

Space-saving 5-limb-choke

Three-phase line choke CNW 915

Space-saving 5-limb-choke

When using regenerative converters, chokes are used in order to obtain a clean sinusoidal current. Depending on the type of inverter, so-called common-mode disturbances can occur, which thermally load the choke and lead to leakage of the magnetic field, which can significantly affect metal components in the vicinity. An additional unwound limb, ensures that the choke can always transfer and attenuate these interferences, until they can be discharged to earth.

REO line chokes series 900 CNW solve these problems in an exceptional way, in addition they are space-saving, the production and material costs are lower and thus more cost-effective and they are considerably lighter than a solution with, for example, three separate single-chokes.

Furthermore, the line choke limits the mains disturbances occurring as current peaks and voltage drops in the network. Such disturbances can affect electrical systems and are caused by switching operations or earth faults.

For this, REO line chokes make an important contribution to improve the electromagnetic compatibility (EMC) of the entire assembly.

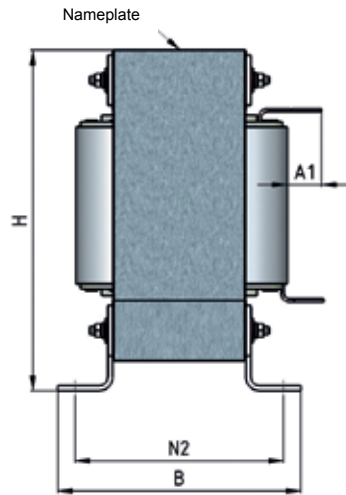
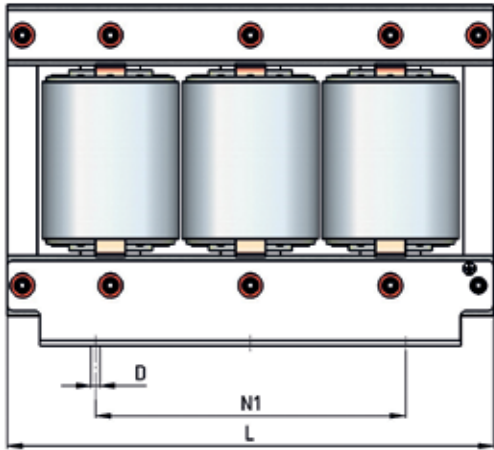


The benefits at a glance:

- Up to 40% weight saving
- Up to 40% construction volume savings
- low thermal heating
- Attenuation of common mode disturbances
- high efficiency
- low noise
- Manufacturing according to UL
Isolation System E251513 possible

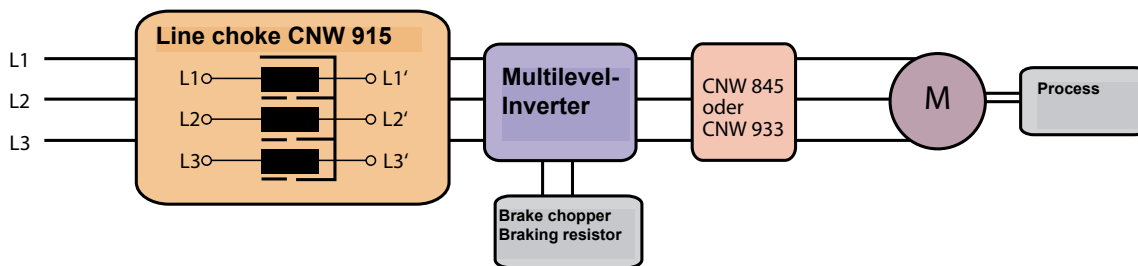
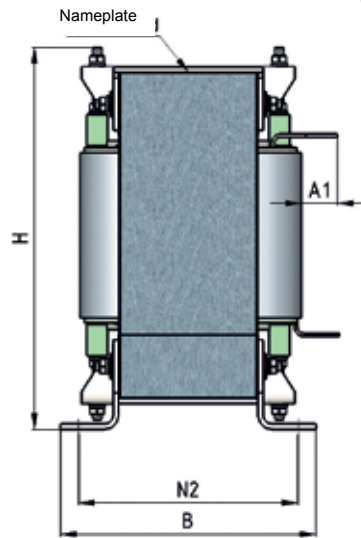
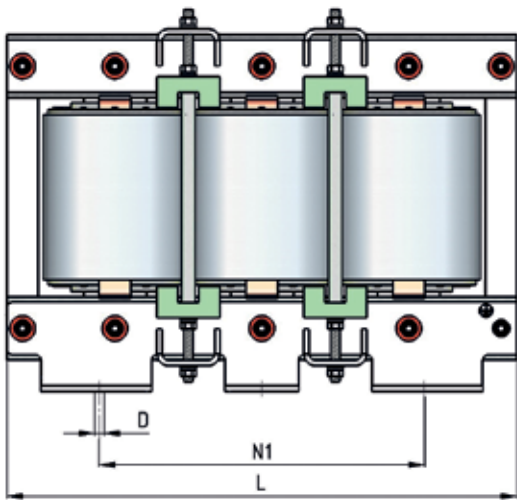
Technical data

Type	Rated voltage [V]	Rated current [A]	Inductance per branch [mH]	Copper [kg]	Weight ca. [kg]
CNW 915/200	500	200	0,32	2	116
CNW 915/400	500	400	0,16	4	212
CNW 915/700	500	700	0,095	9	329
CNW 915/900	500	900	0,07	17	377
CNW 915/1200	500	1200	0,055	18	496



Applications

- Smoothing of current and voltage in regenerative converters
- Damping of common-mode interference



Mechanical data

Type	Image	Dimensions							Connection
		L [mm]	B [mm]	Hmax [mm]	N1 [mm]	N2 [mm]	øD [mm]	A1 [mm]	
CNW 915/200	1	490	200	370	300	170	13	40	30 x 4
CNW 915/400	2	560	250	480	330	210	13	40	40 x 5
CNW 915/700	2	630	270	630	370	230	13	40	40 x 8
CNW 915/900	2	630	290	630	370	250	13	80	60 x 10
CNW 915/1200	2	700	310	690	410	270	13	80	60 x 10



REO Drives Division

Holzhausener Straße 52
D-16866 Kyritz

Tel.: +49 (0)33971 485 0
Fax: +49 (0)33971 485 90

E-Mail: info@reo.de
Internet: www.reo.de

■ Headquarter:

REO INDUCTIVE COMPONENTS AG
REO ELEKTRONIK AG

Brühler Straße 100 · D-42657 Solingen
Tel.: +49 (0)212 8804 0 · Fax: +49 (0)212 8804 188

E-Mail: info@reo.de
Internet: www.reo.de

Divisions:

REO Test and PowerQuality Division

Brühler Straße 100 · D-42657 Solingen
Tel.: +49 (0)212 8804 0 · Fax: +49 (0)212 8804 188
E-Mail: info@reo.de

REO Train Technologies Division

Centre of Competence Berlin
Erasmusstraße 14 · D-10553 Berlin
Tel.: +49 (0)30 3670236 0 · Fax: +49 (0)30 3670236 10
E-Mail: zentrale.berlin@reo.de

REO Train Technologies Division - Production

Eduard-Maurer-Straße 13 · D-16761 Hennigsdorf

REO Medical Division

Schuldhölzinger Weg 7 · D-84347 Pfarrkirchen
Tel.: +49 (0)8561 9886 0 · Fax: +49 (0)8561 9886 40
E-Mail: info@reo.de

PRODUCTION + SALES:

■ China

REO Shanghai Inductive Components Co., Ltd
No. 536 ShangFeng Road · Pudong, 201201 Shanghai · China
Tel.: +86 (0)21 5858 0686 · Fax: +86 (0)21 5858 0289
E-Mail: info@reo.cn · Internet: www.reo.cn

■ India

REO GPD INDUCTIVE COMPONENTS PVT. LTD
2/202 Luna Road · Village Luna · Taluka Padra
Vadodara - 391440 · India
Tel.: +91 (2662) 221723, +91 (265) 2396148 · Fax: +91 (265) 2396971
E-Mail: info@reogpd.com · Internet: www.reo-ag.in

■ USA

REO-USA, Inc.
8450 E. 47th St · USA-Indianapolis, IN 46226
Tel.: +1 (317) 899 1395 · Fax: +1 (317) 899 1396
E-Mail: info@reo-usa.com · Internet: www.reo-usa.com

SALES:

■ France

REO VARIAC S.A.R.L.
ZAC Du Clos aux Pois 1 · 6/8 rue de la Closerie-LISSES · F-91048 Evry Cédex
Tel.: +33 (0)1 6911 1898 · Fax: +33 (0)1 6911 0918
E-Mail: reovariac@reo.fr · Internet: www.reo.fr

■ Great Britain

REO (UK) Ltd.
Units 2-4 Callow Hill Road · Craven Arms · Shropshire SY7 8NT · UK
Tel.: +44 (0)1588 673 411 · Fax: +44 (0)1588 672 718
E-Mail: main@reo.co.uk · Internet: www.reo.co.uk

■ Italy

REO ITALIA S.r.l.
Via Treponti, 29 · I-25086 Rezzato (BS)
Tel.: +39 030 279 3883 · Fax: +39 030 279 0600
E-Mail: info@reotalia.it · Internet: www.reotalia.it

■ Poland

REO CROMA Sp.zo.o
ul. Pozaryskiego 28, bud 20 · PL-04-703 Warszawa
Tel.: +48 (0)22 812 3066 · Fax: +48 (0)22 815 6906
E-Mail: croma@croma.com.pl · Internet: www.croma.com.pl

■ Spain

REO ESPAÑA 2002 S.A.
C/Manuel Ventura i Campeny 21B · local 9 · E-08339 Vilassar de Dalt (Barcelona)
Tel.: +34 937 509 994 · Fax: +34 937 509 995
E-Mail: info@reospain.com · Internet: www.reospain.com

■ Switzerland

REO ELEKTRONIK AG
Im Halbiacker 5a · CH-8352 Elsau
Tel.: +41 (0)52 363 2820 · Fax: +41 (0)52 363 1241
E-Mail: info@reo.ch · Internet: www.reo.ch

■ Turkey

REOTURKEY ELEKTRONIK San. ve Tic. Ltd. Şti.
Halil Rıfatpaşa Mah. · Darülaceze CD Perpa Tic. Merkezi
B Blok Kat 8 No:1095 · TR-34384 Sisli – İstanbul
Tel.: +90 (0)212 2215 118 · Fax: +90 (0)212 2215 119
E-Mail: info@reo-turkey.com · Internet: www.reo-turkey.com