

REOTRON MEW

1-phase thyristor power controller

1-phase thyristor power controller

REOTRON MEW thyristor controllers are particularly suitable for industrial process engineering, like thermotechnical applications. The MEW range can operate as phase-angle or in burst-fire mode as standard and are able to function as voltage, current or power regulators ensuring maximum versatility.

REOTRON MEW controllers can be directly connected to the load (e.g. Infrared heating) or can also be used for primary control of transformers for load isolation and allow for operation in more favourable combinations of voltage/current (e.g. resistance heating applications)

Thyristor controllers of our series REOTRON MEW are modern microprocessor controlled devices with integrated measuring equipment.

To provide additional functionality, the units provide 0..+10V,DC analog outputs which are proportional to current and voltage. Communication with the devices can be done using conventional analog interfaces (0...10V,DC or 0(4)...20 mA), potentiometer or field bus systems.

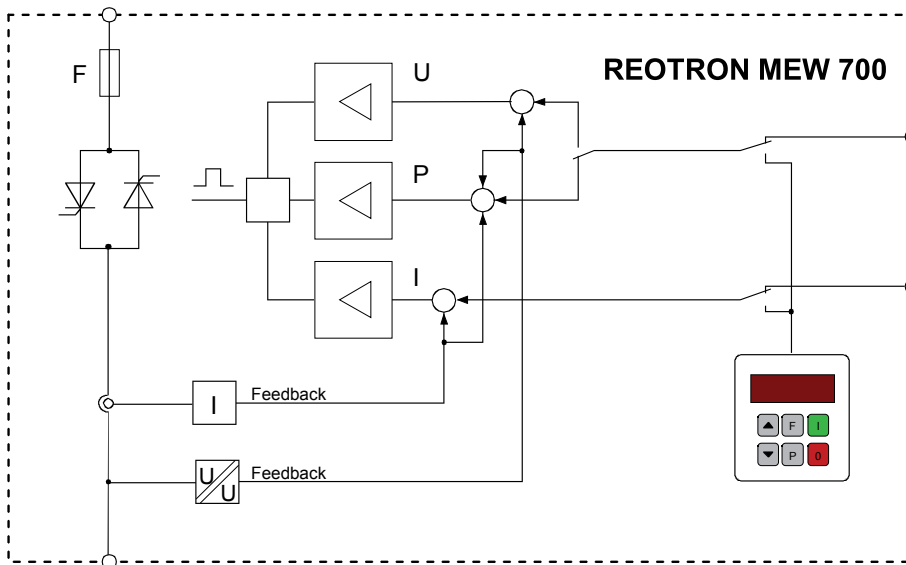
The units have a wide variety of user adjustable parameters so that control can be tailored and optimized for your application.

The REOTRON MEW range is protected to IP20 and is designed to be integrated into control cabinets.

They are air-cooled and above 150A have integral cooling fans.

Applications:

- Industrial ovens
- Metal- evaporations
- Melting Crucibles
- Infra-red dryers
- Heating equipment





- connection via analog interfaces, potentiometers or field bus systems
- phase-angle or burst-fire controllers
- measuring of effective values
- installation device for control cabinets

Performance data::

Type	Input voltage	Output voltage	Output current
REOTRON MEW 700-10	230 V AC, +/- 10% 400 V AC, +/-10 % 50/60 Hz	0...230 V 0...400 V	10 A
REOTRON MEW 700-25			25 A
REOTRON MEW 700-50			50 A
REOTRON MEW 700-80			80 A
REOTRON MEW 700-110			110 A
REOTRON MEW 700-150			150 A
REOTRON MEW 700-200			200 A
REOTRON MEW 700-300			300 A
Load:	Resistive / inductive		
Set-point: Current, voltage, power	0...+10 V, DC 0(4)...20 mA Internal keyboard		
Interface: (optional)	Profibus-DP CAN-Bus DeviceNet EtherCAT EtherNet/IP ProfiNet		
Input:	24 V, DC external contact (potential-free)		
Status update ready	Relay, changeover contact		
Status update power on	Relay, changeover contact		
Display for effective value: Current/voltage	0...+10 V, DC		
Operating temperature:	0...+45°C		
Storage/Transport temperature:	-10....+70°C		
Protection rating:	IP 20		



REO AG

Brühler Straße 100 · D-42657 Solingen
Tel.: +49 (0)212 8804 0 · Fax: +49 (0)212 8804 188

E-Mail: info@reo.de
Internet: www.reo.de

■ Divisions:

» REO Vibratory Feeding and Power Electronics Division

REO Vibratory Feeding and Power Electronics Division
Brühler Straße 100 · D-42657 Solingen
Tel.: +49 (0)212 8804 0 · Fax: +49 (0)212 8804 188
E-Mail: info@reo.de

» REO Train Technologies Division

REO Train Technologies Division
Erasmusstraße 14 · D-10553 Berlin
Tel.: +49 (0)30 3670236 0 · Fax: +49 (0)30 3670236 10
E-Mail: zentrale.berlin@reo.de

» REO Drives Division

REO Drives Division
Holzhausener Straße 52 · D-16866 Kyritz
Tel.: +49 (0)33971 485 0 · Fax: +49 (0)33971 485 90
E-Mail: zentrale.kyritz@reo.de

» REO Medical and Current Transformer Division

REO Medical and Current Transformer Division
Schuldholzinger Weg 7 · D-84347 Pfarrkirchen
Tel.: +49 (0)8561 9886 0 · Fax: +49 (0)8561 9886 40
E-Mail: zentrale.pfarrkirchen@reo.de

» REO Test and PowerQuality Division

REO Test and PowerQuality Division
Brühler Straße 100 · D-42657 Solingen
Tel.: +49 (0)212 8804 0 · Fax: +49 (0)212 8804 188
E-Mail: info@reo.de

PRODUCTION + SALES:

■ China

REO Shanghai Inductive Components Co., Ltd
E-Mail: info@reo.cn · Internet: www.reo.cn

■ India

REO GPD INDUCTIVE COMPONENTS PVT. LTD
E-Mail: info@reogpd.com · Internet: www.reo-ag.in

■ USA

REO-USA, Inc.
E-Mail: info@reo-usa.com · Internet: www.reo-usa.com

SALES:

■ France

REO VARIAC S.A.R.L.
E-Mail: reovariac@reo.fr · Internet: www.reo.fr

■ Great Britain

REO (UK) Ltd.
E-Mail: main@reo.co.uk · Internet: www.reo.co.uk

■ Italy

REO ITALIA S.r.l.
E-Mail: info@reitalia.it · Internet: www.reitalia.it

■ Poland

REO CROMA Sp.zo.o
E-Mail: croma@croma.com.pl · Internet: www.croma.com.pl

■ Spain

REO ESPAÑA 2002 S.A.
E-Mail: info@reospain.com · Internet: www.reospain.com

■ Switzerland

REO ELEKTRONIK AG
E-Mail: info@reo.ch · Internet: www.reo.ch

■ Turkey

REOTURKEY ELEKTRONIK San. ve Tic. Ltd. Şti.
E-Mail: info@reo-turkey.com · Internet: www.reo-turkey.com